



Solus Handcast Concrete Fireplace Surrounds Measure-up Guide -

Fireplace inserts and fireboxes come in many different sizes and configurations. To accommodate these variances, Solus has created two styles of fireplace surround:

1. Fixed-width surrounds
2. Modular surrounds

Fixed-width surrounds have standard width dimensions that cannot be changed. Their heights may be decreased by cutting the legs. (Please see diagram on page 2)

Modular surrounds have adjustable centre-spanners and legs.

Whichever surround you are using, you may use Solus inset tiles to treat the area between the surround and the firebox or insert. This not only creates some interesting aesthetic effects but also affords you the option of using a larger surround, even if your insert is small.

To measure-up for a Solus fireplace surround, you need to locate and dimension your actual opening. The actual opening refers to the exact area that you wish to leave exposed once the surround and any inset tile have been installed.

NOTE: This does not necessarily correlate to the dimensions that appear on your fireplace insert manufacturer's spec sheet. Depending on the requirements of your fireplace insert, it may be possible to cover some or all of the black metal frame on the outside of the insert opening and you may opt to do so. Please check with your fireplace manufacturer or dealer to see if this is an option.

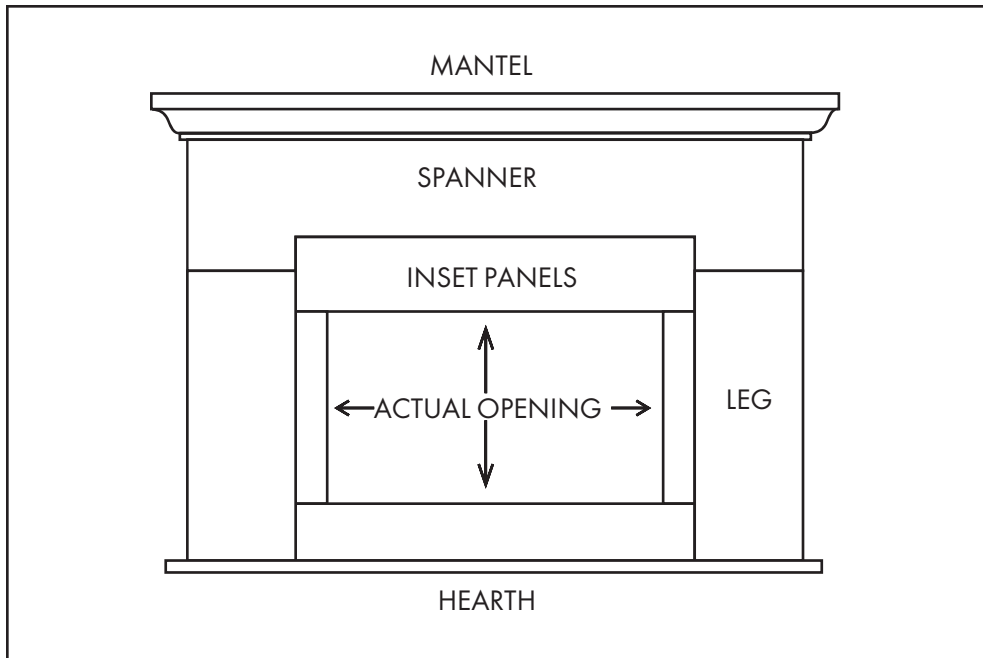
Once you have determined your actual opening size, you need to locate its proximity to the floor and clearances on all sides. Use the worksheet on page 2. You may be limited by the fireplace's location near adjacent walls, doors, windows, etc. Your hearth choice may be directed by the height of your insert.

NOTE: The hearth height should be measured from the substrate upon which it is to be set. This could be a subfloor or your finished floor.

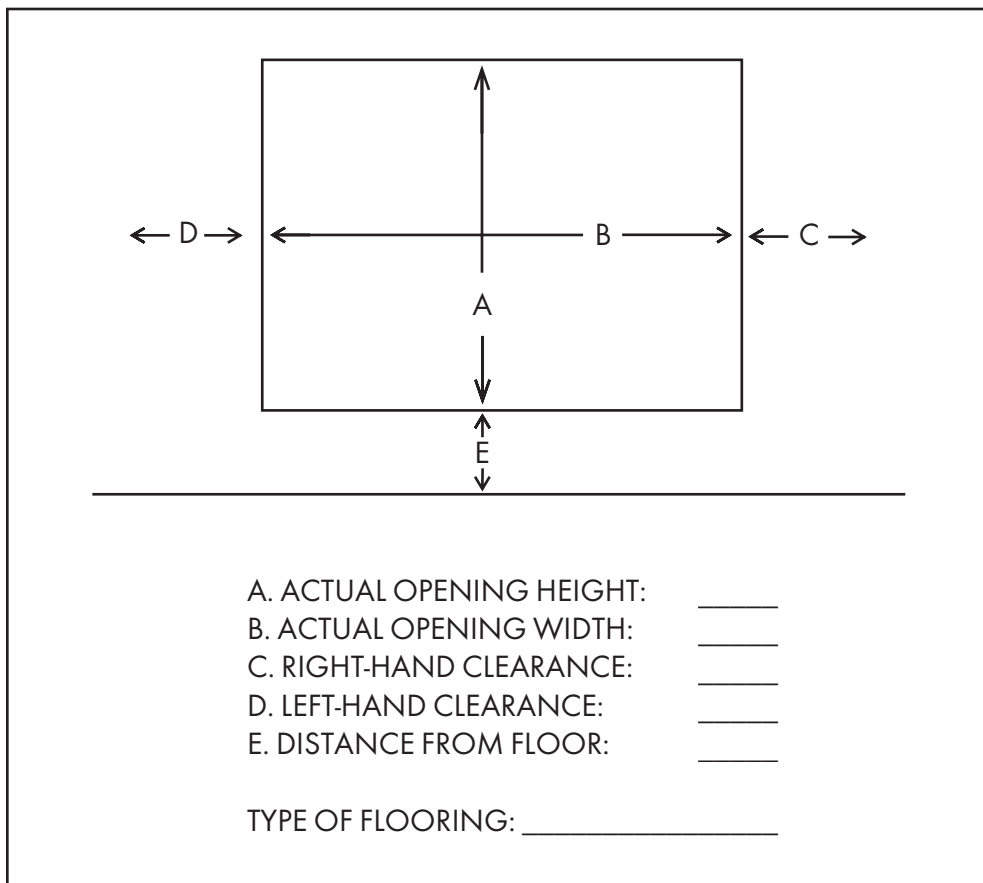
When you have all the required dimensions, you can reference our product spec sheets to see how to configure your chosen Solus fireplace surround. These sheets are available from Solus or online at www.solusdecor.com

A NOTE ABOUT DESIGN:

Please keep in mind the size of the Solus surround you are choosing relative to the size of your firebox or insert. You don't want to choose a surround that will dwarf your insert, or vice versa. Furthermore, the heights of any of our surrounds may be reduced if it suits your room better. It is a good idea to use painter's tape to mark out the outline of your future surround on your wall to see if the scale is right. Ultimately, these choices are up to you, but we would be happy to make recommendations.



Fireplace Components



Measure-up Worksheet