

PACIFIC RIM 36
MATCH LIT NG & LP

Fire is beautiful and also dangerous if not handled properly. Please have a qualified gas fitter setup and install this product according to local codes.

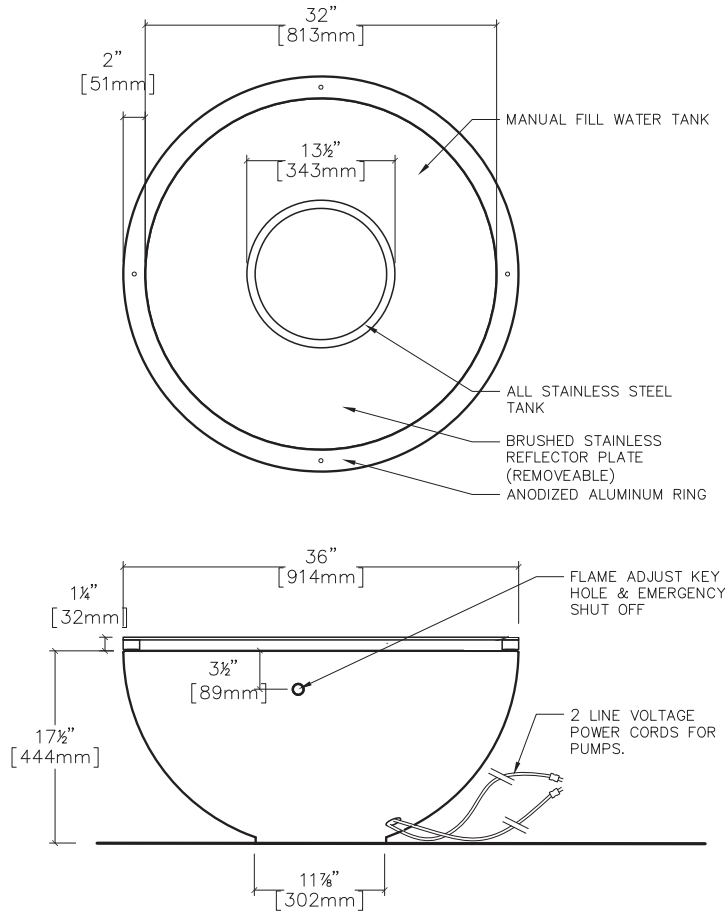
This product has been tested and certified by Labtest Certification Inc. as being safe, as long as these **minimum clearances** to adjacent materials are maintained.

FOR OUTDOOR USE ONLY

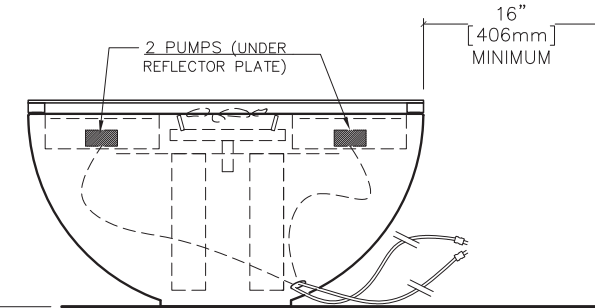
NORTH AMERICA SPECIFICATIONS

Gas type:	Natural Gas	Propane
Inlet press:	7.0" w.c.	11" w.c.
Manifold press:	5.8" w.c.	10.5" w.c.
Heat Output:	60,000 BTU	60,000 BTU

ANSI Z21.97-2014
CSA 2.17-2017



77"
[1956mm]
MINIMUM



CLEARANCES to ADJACENT MATERIALS

CONCRETE SPECS

Strength: 10,000 psi (proprietary)
Weight: 156 lbs / 71 kg

TANK SPECS

Metals: Anodized aluminum (type 2)
Stainless steel (304)

Weight: 40 lbs / 18 kg (empty)
Water Volume: 12 gallons / 45 litres

ACCESSORIES

1/ All Weather Fabric Cover /extends warranty.

JOB / ORDER

Name or Number:

Signature & Date: