

FIRECUBE 16 NG & LP
MATCH LIT

Fire is beautiful and also dangerous if not handled properly. Please have a qualified gas fitter setup and install this product according to local codes.

This product has been tested and certified by Labtest Certification Inc. as being safe, as long as these **minimum clearances** to adjacent materials are maintained.

FOR OUTDOOR USE ONLY

NORTH AMERICA SPECIFICATIONS

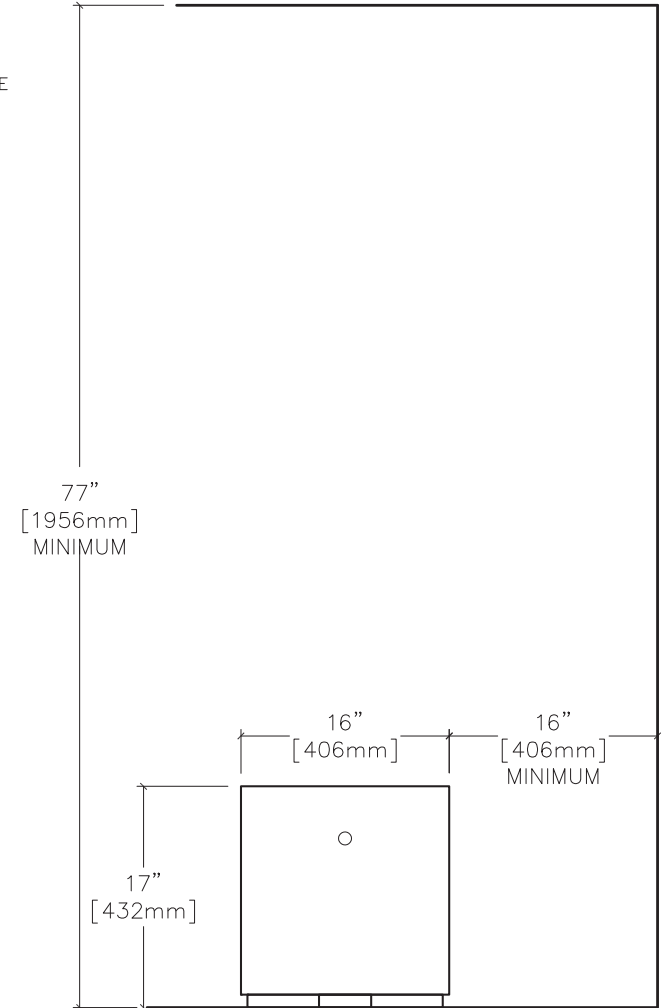
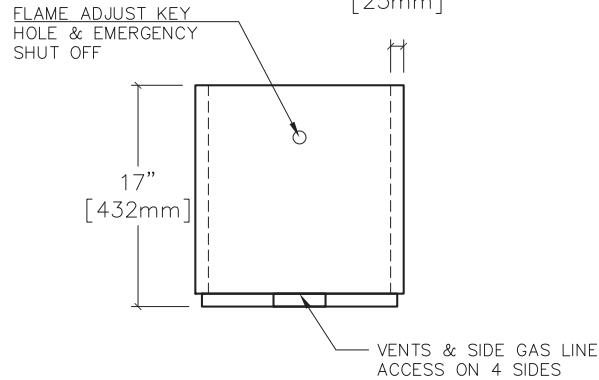
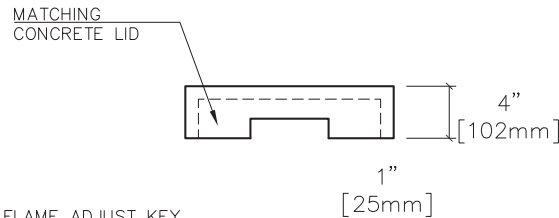
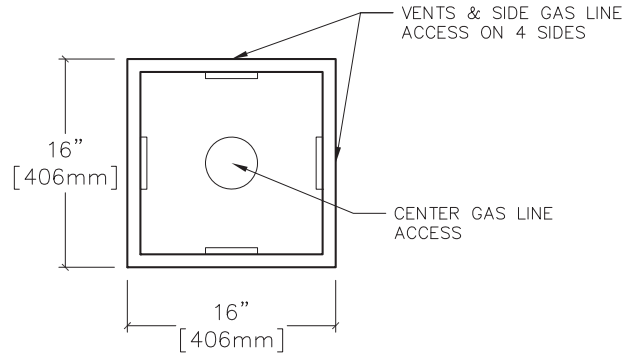
Gas type:	<u>Natural Gas</u>	<u>Propane</u>
Inlet press:	7.0" w.c.	11" w.c.
Manifold press:	5.8" w.c.	10.5" w.c.
Heat Output:	60,000 BTU	60,000 BTU

ANSI Z21.97-2014
CSA 2.17-2017



CONCRETE SPECS

Strength: 10,000 psi (proprietary)
Weight: Top - 100 lbs / 45 Kg



CLEARANCES to ADJACENT MATERIALS

JOB / ORDER
Name or Number:

Signature & Date: