

# solus

Fire Features  
www.solusdecor.com

## FIREBOX 30 NG & LP MATCH LIT + FLAME SUPERVISION

Fire is beautiful and also dangerous if not handled properly. Please have a qualified gas fitter setup and install this product according to local codes.

This product has been tested and certified by Labtest Certification Inc. as being safe, as long as these **minimum clearances** to adjacent materials are maintained.

### FOR OUTDOOR USE ONLY

### NORTH AMERICA SPECIFICATIONS

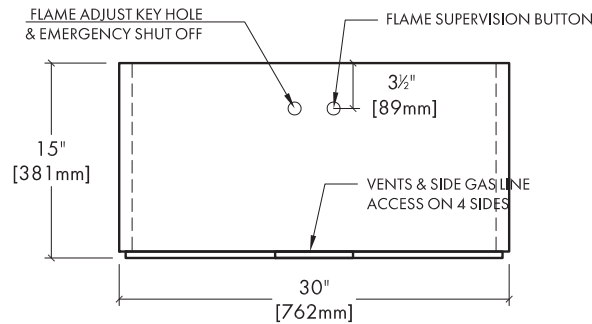
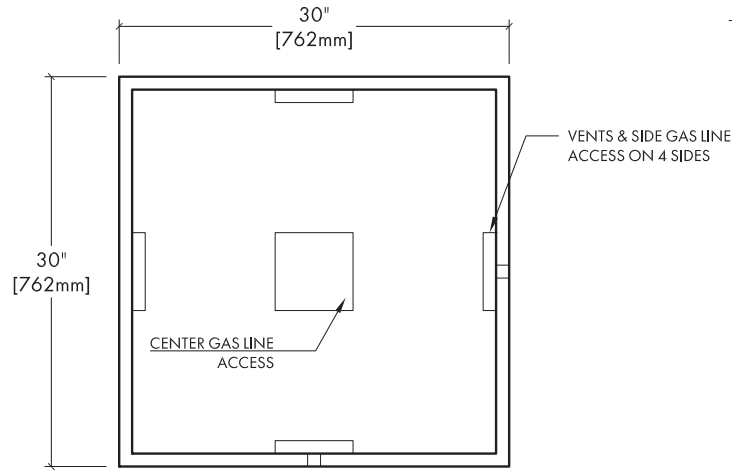
Gas type:	<u>Natural Gas</u>	<u>Propane</u>
Inlet press:	7.0" w.c.	11" w.c.
Manifold press:	2.5" w.c.	4.5" w.c.
Heat Output:	108,000 BTU	108,000 BTU

ANSI Z21.97-2014  
CSA 2.17-2017

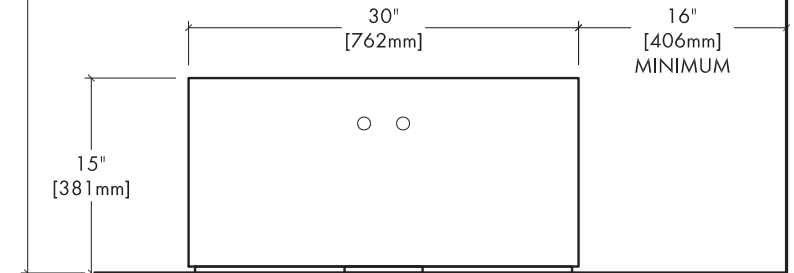


### CONCRETE SPECS

Strength:	10,000 psi (proprietary)
Weight:	243 lbs / 110 kg



77"  
(1956 mm)  
MINIMUM



CLEARANCES to ADJACENT MATERIALS

### ACCESSORIES

- 1/ All Weather Fabric Cover /extends warranty.
- 3/ Clear Anodized Aluminum Ring top / 1/4" plate with 5/8" supports / extends warranty
- 4/ Glass wind guard.

JOB / ORDER  
Name or Number:

Signature & Date: