

SCUPPER 26

This water feature requires a pond or reservoir to operate. An optional pump package is also available if required. We will work with your pool/pond consultant to make the project a success.

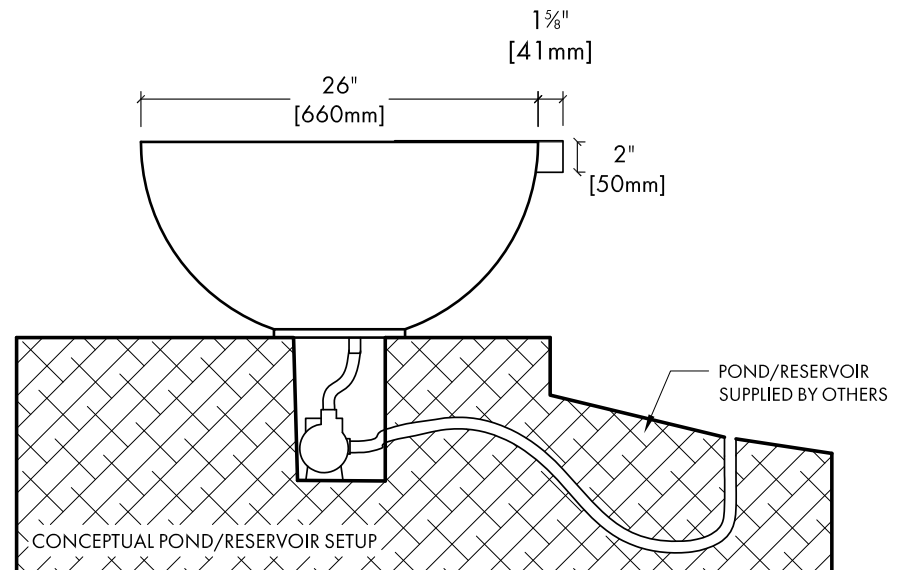
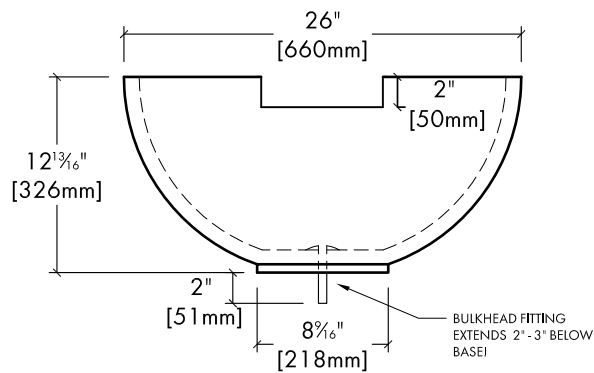
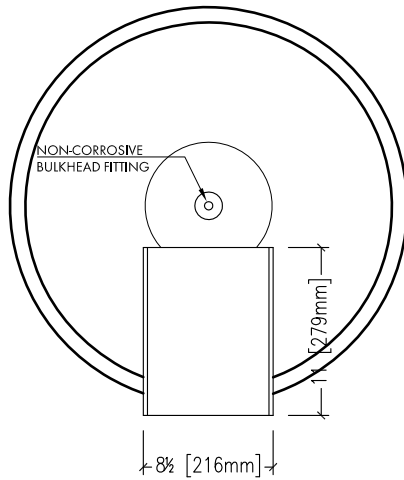
Contents:

- Solus concrete bowl and solid metal scupper in Stainless Steel, Copper or Brass.
- 3/4" (standard) or 1-1/2" bulkhead fitting (barbed or un-barbed) available.

-Optional Oase pump:

370 GPH (1400 LPH) with 7ft of lift and 2 year manufacturers warranty.

NOTE: Pump is available for N. American (110V) or UK (240V)voltage



solus
HANDCAST CONCRETE
DECOR

ORDER NO. / JOB NAME

Signature:

Date:

PRODUCT: **SCUPPER 26**

COLOUR: Bowl: Scupper:

BULKHEAD: 3/4" – barbed

PUMP: Required or Not Required

VOLTAGE: N. America (110) or UK (240)

OTHER: Weight ~ 150 lbs (68 kg) without water