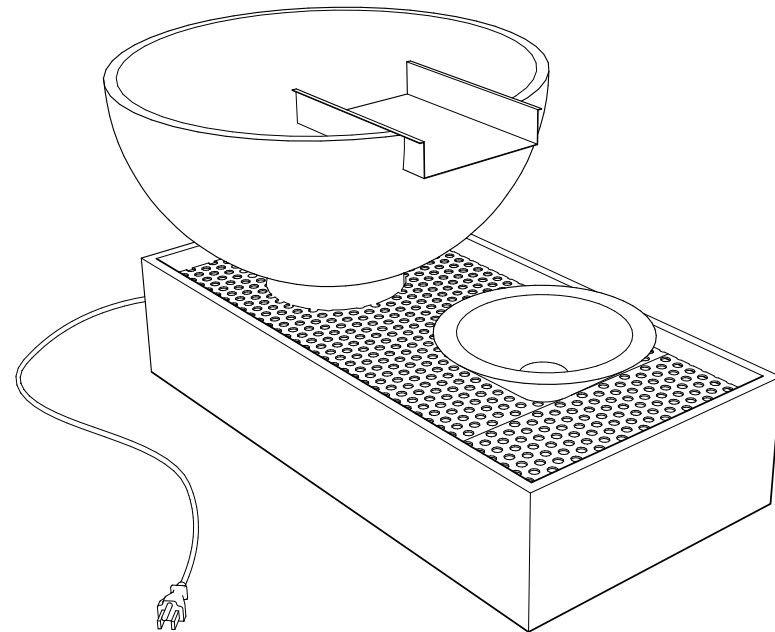


## SCUPPER w BOX (26" & 36")

### Table of Contents:

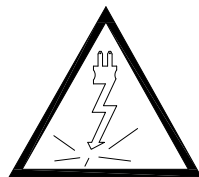
1. Title page
2. General Warnings
3. Handling Warning!
4. Filling Diagram
5. Components Diagram
6. Indoor / Outdoor Installation
7. Metal Scupper care
8. Pump care
9. Installation
10. Electrical Pass Through Diagram
11. Draining / Refilling
12. Contact us

## INSTALLATION & OPERATION MANUAL.



### WARNING!

Failure to follow instructions may result in drowning, electric shock or damage to property.



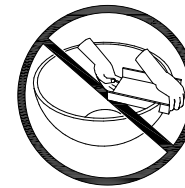
Electrical shock hazard!



Water Damage Possible!



Keep children away. Drowning hazard!



Do not lift by metal scupper!

FOR INDOOR OR OUTDOOR

## SCUPPER w BOX (26" & 36")

---

### Table of Contents:

1. Title page
2. General Warnings
3. Handling Warning!
4. Filling Diagram
5. Components Diagram
6. Indoor / Outdoor Installation
7. Metal Scupper care
8. Pump care
9. Installation
10. Electrical Pass Through Diagram
11. Draining / Refilling
12. Contact us

INSTALLER: Leave this manual with the appliance.  
CONSUMER: Retain this manual for future reference.

**WARNING:**  
Read and understand Installation & User Manual and all safety instructions before use.

**WARNING:**  
Improper installation, adjustment, alteration, service, or maintenance can cause injury or property damage. Read the Installation and User Manual thoroughly before using or servicing this equipment.

**WARNING:**  
Water leakage can cause serious damage to property. Periodically inspect and confirm there is no leakage for indoor applications.

**WARNING:**  
Do not let pump run dry. Pump will burn out if water level is too low.

**WARNING:**  
Spilled or splashed water can create a slipping hazard. Clean up spills and locate your water feature in a suitable area.

**WARNING:**  
Please watch children around the water feature. There is the potential for drowning.

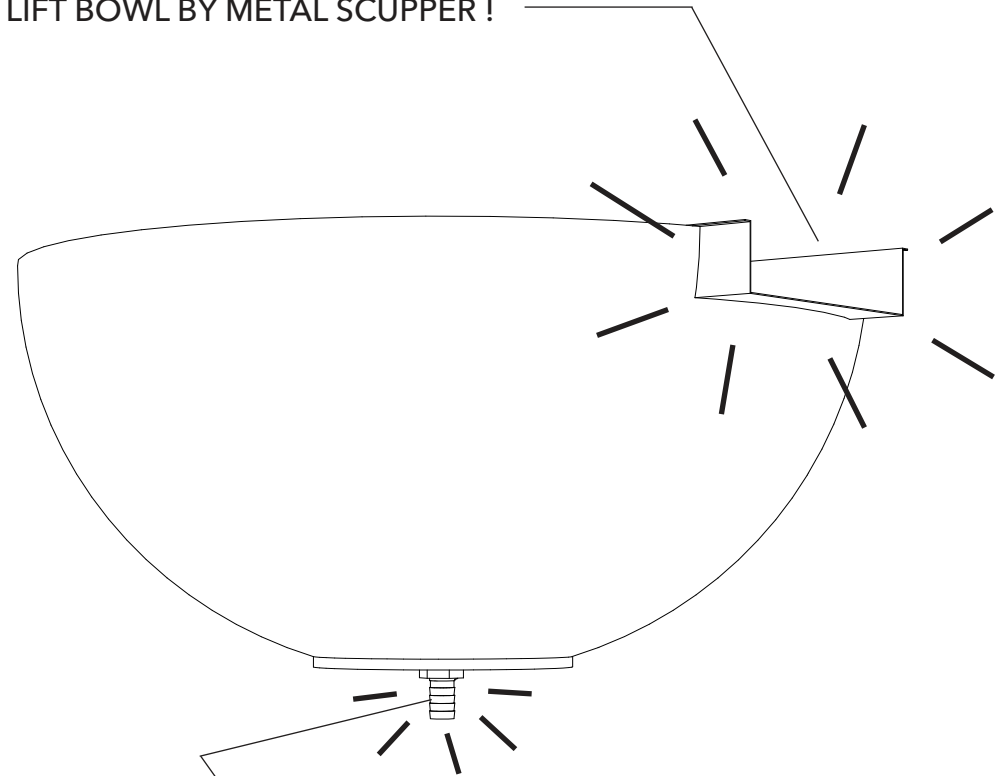
## SCUPPER w BOX (26" & 36")

### Table of Contents:

1. Title page
2. General Warnings
3. Handling Warning!
4. Filling Diagram
5. Components Diagram
6. Indoor / Outdoor Installation
7. Metal Scupper care
8. Pump care
9. Installation
10. Electrical Pass Through Diagram
11. Draining / Refilling
12. Contact us

### HANDLING WARNING!

**DO NOT LIFT BOWL BY METAL SCUPPER !**



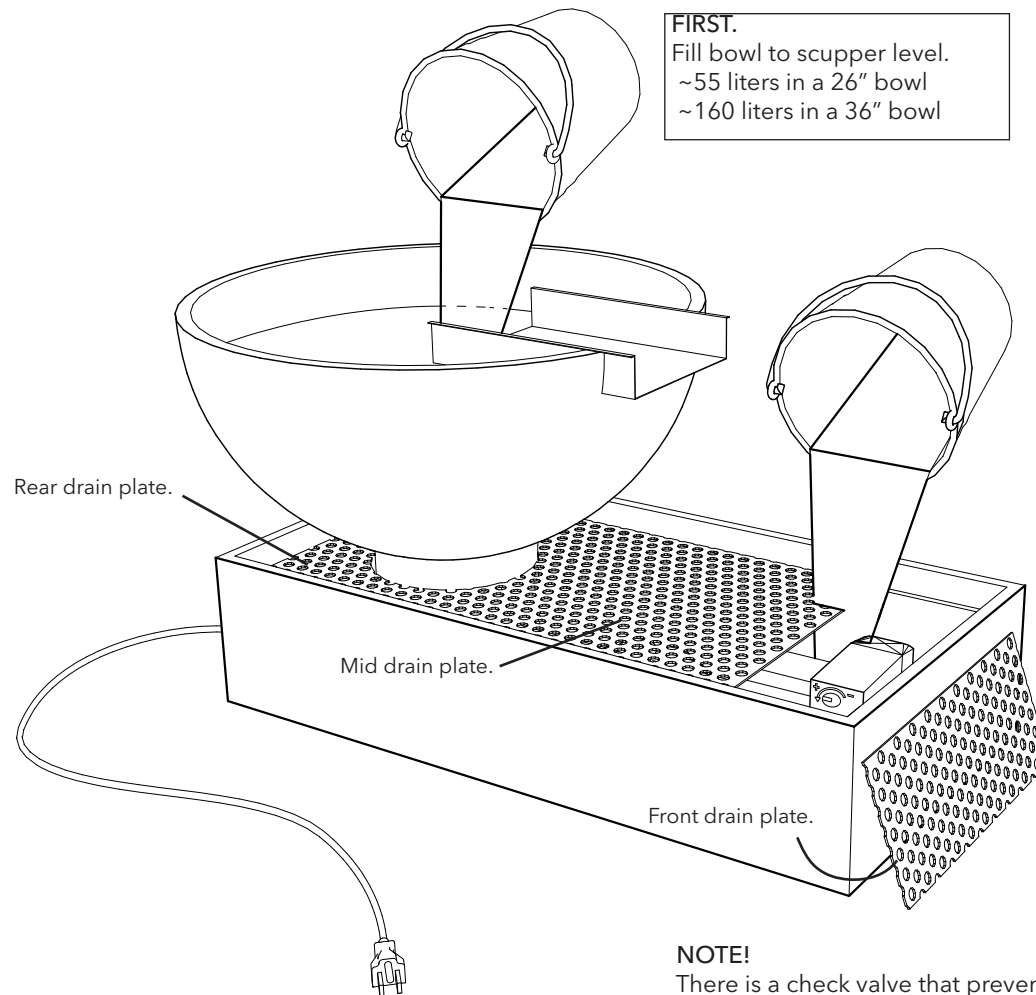
**BEWARE OF BULKHEAD TAIL STICKING OUT  
THE BOTTOM OF THE CONCRETE BOWL!  
DO NOT DROP OR PLACE ON HARD  
GROUND. DAMAGE MAY ENSUE.**

## SCUPPER w BOX (26" & 36")

### Table of Contents:

1. Title page
2. General Warnings
3. Handling Warning!
4. Filling Diagram
5. Components Diagram
6. Indoor / Outdoor Installation
7. Metal Scupper care
8. Pump care
9. Installation
10. Electrical Pass Through Diagram
11. Draining / Refilling
12. Contact us

### FILLING WITH WATER



**FIRST.**  
Fill bowl to scupper level.  
~55 liters in a 26" bowl  
~160 liters in a 36" bowl

**SECOND.**  
Fill box to just below drain plate.  
~44 liters for a 26" bowl with  
concrete box.  
~135 liters for a 36" bowl with  
concrete box.  
~180 liters for a 36" bowl with  
stainless steel box.

**THIRD.**  
Test run pump and adjust water  
flow *before* returning grill and  
adding the rocks and Conical  
bowl

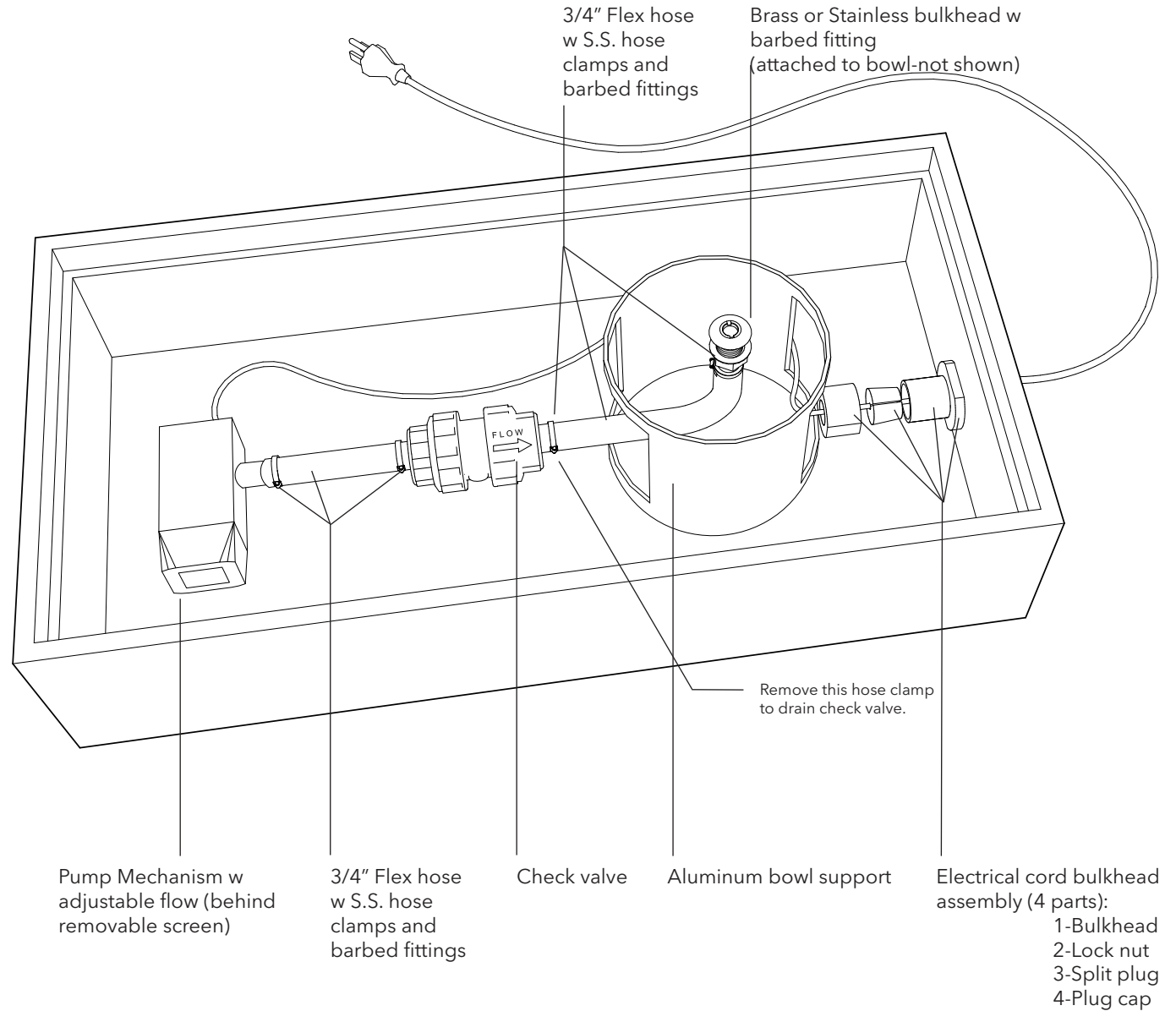
**NOTE!**  
There is a check valve that prevents the backflow of water from the bowl into the box. Make sure to fill both chambers with water.

## SCUPPER w BOX (26" & 36")

### Table of Contents:

1. Title page
2. General Warnings
3. Handling Warning!
4. Filling Diagram
5. Components Diagram
6. Indoor / Outdoor Installation
7. Metal Scupper care
8. Pump care
9. Installation
10. Electrical Pass Through Diagram
11. Draining / Refilling
12. Contact us

### EXPLODED DIAGRAM



## SCUPPER w BOX (26" & 36")

---

### Table of Contents:

1. Title page
2. General Warnings
3. Handling Warning!
4. Filling Diagram
5. Components Diagram
6. Indoor / Outdoor Installation
7. Metal Scupper care
8. Pump care
9. Installation
10. Electrical Pass Through Diagram
11. Draining / Refilling
12. Contact us

Your water bowl can be used indoors or outdoors.

### INDOORS:

#### BEWARE! THERE IS ALWAYS POTENTIAL FOR WATER DAMAGE TO SURROUNDING MATERIALS AND FINISHES!

+ You will need a level surface on which to place your water feature. An unlevel surface will result in uneven water flow. Please use shims to level your water feature.

+Please use the feet provided. The feet will create an airflow space between the concrete and your flooring and will minimize the moisture exchange with your floor. Check the space under the bowl for moisture as trapped water can damage flooring.

**+Solus is not responsible for any damage to surfaces caused by water.** The feet will also protect your flooring from being scratched by the rough concrete base.

+See the special indoor draining instructions further down in the document in the Draining section.

+Our water features have the potential to splash and create a slipping hazard. For indoor use we recommend that you adjust pump flow to reduce/eliminate splashing. See the 'installation and care' section for water level recommendations.

+Use of chlorine in the water may damage the pump and void the warranty. Use an alternate non-chlorinated biocide (water additive) that is safe for magnetic driven pumps.

### OUTDOORS:

+Always drain the water out of the bowl and box before any threat of freezing. Water left in the vessels through a freeze thaw cycle can cause cracking of the concrete vessel.

+It is normal for concrete to etch when exposed to the elements. Over time aggregate will become exposed on concrete surfaces. To minimize weathering we recommend covering your water bowl when it is not in use and during winter months. For information on our tailored All Weather covers please call us at 604-255-2472 or visit our website @ [www.solusdecor.com](http://www.solusdecor.com)

+Never use chlorine in the water as it will damage the pump and void the warranty. You can purchase water additives to accomplish the same outcome. Water additives will discourage the growth of

## SCUPPER w BOX (26" & 36")

---

### Table of Contents:

1. Title page
2. General Warnings
3. Handling Warning!
4. Filling Diagram
5. Components Diagram
6. Indoor / Outdoor Installation
7. Metal Scupper care
8. Pump care
9. Installation
10. Electrical Pass Through Diagram
11. Draining / Refilling
12. Contact us

algae and can be purchased from any pond supply store. There are many nontoxic products available that are safe for birds, animals and insects. There are also additives to keep mosquito larva from developing if you leave your pump off long periods of time.

### COMPONENTS.

#### METAL SCUPPER:

There are 3 metal types available Stainless Steel, Brass and Copper.

**Stainless Steel** is very hard and durable and does not require any special care except periodic wiping. Just use a clean soft cloth to wipe off any bio-residue that may have accumulated. Do not use any abrasive materials on the Stainless Steel because it may effect the sheen. If you do have stubborn calcium buildup that you want off, try using a "Magic Eraser" also known as a melamine sponge. Use only linear movements with the sponge. Start at the front edge and with one motion draw straight back and off the back edge. This will mimic the natural grain in the steel. Do not use circular motions! This will create swirly marks.

**Brass** is a soft and tarnishable metal that does require some special care. We polish and coat the brass dome with a "self-annealing" coating, meaning it can be re-coated or touched up if scratched. This coating will also prevent the scupper from tarnishing. But be aware that the coating will slowly erode away by the flow of water. Once the coating is gone the brass will start to tarnish again.

You may choose to leave the scupper to tarnish naturally to a deep bronze colour, or you may re-polish the dome using 'Tarn-X' or other metal polish. This will bring the brass back to it's original bright state. If you wish to keep it in this bright state over time, you will need to re-coat the metal. We use a product called "EVERBRITE" ([www.everbritecoatings.com](http://www.everbritecoatings.com)). Just follow their directions for reapplication.

**Copper** is also soft and tarnishable and requires the same care that brass does. Follow the same instructions above for brass.

Also, all metal parts will change over time especially when exposed to weather and organic substances such as leaves. It's a good idea to keep out plant

It is normal for some efflorescence in the form of powdery white residue to appear on the dome when you begin to use it. Use some CLR (Calcium, Lime and Rust remover) on soft rag and wipe off the efflorescence (a fancy term for lime build-up).

## SCUPPER w BOX (26" & 36")

---

### Table of Contents:

1. Title page
2. General Warnings
3. Handling Warning!
4. Filling Diagram
5. Components Diagram
6. Indoor / Outdoor Installation
7. Metal Scupper care
8. Pump care
9. Installation
10. Electrical Pass Through Diagram
11. Draining / Refilling
12. Contact us

### PUMP:

NEVER RUN YOUR PUMP DRY and avoid exposing your pump to chlorine as this will damage the mechanism. Your Oase pump has a two year limited warranty. If your pump is defective or fails under the terms of the limited warranty please return it to Solus Decor for exchange.

The Oase Pumps are adjustable. To adjust the water flow: remove the secondary bowl dome and support (see "To Drain the Bowl" Instructions following). The dial on the end of the pump can be turned to increase or decrease water flow. Be prepared to get a little wet!

You can find specific pump information in the provided instruction manual or on line at [www.oase-livingwater.com](http://www.oase-livingwater.com)

### Concrete:

Concrete is strong but will chip or crack if knocked against hard surfaces. Take advantage of the opportunity to ask friends or neighbours for help when lifting or moving your concrete vessel. **BEWARE OF BULKHEAD TAIL STICKING OUT THE BOTTOM OF THE BOWL!**

Our concrete vessel has been sealed with penetrating sealer and is ready for indoor and outdoor use. It is normal for free lime or efflorescence to come to the surface of the bowl with exposure to water. This efflorescence appears as a thin milky or white residue and can be buffed away using the green pad provided. We recommend resealing the bowl once per year, using *Miracle 511 Pregnating Sealer*.

If your concrete vessel is outside you must drain all water out of it before the first sign of freezing. Any substantial amount of water left in the vessel will freeze and may cause cracking or other damage. This is a good time to clean out any debris and to re-seal the concrete in preparation for the coming spring.

### Plumbing Parts:

All of the smaller plumbing pieces are standard off-the-shelf parts that are readily available from any irrigation/plumbing/hardware shop. All these pieces will be standard North American sizing and threading, generally 3/4". When looking for replacement pieces, just take the part you need to your local shop and they are sure to have a replacement.

### Installation

**\*\*You will need 2-4 strong people to lift and place the concrete bowl. Concrete is strong but will chip if knocked against hard surfaces so handle it with care.**



## SCUPPER w BOX (26" & 36")

---

### Table of Contents:

1. Title page
2. General Warnings
3. Handling Warning!
4. Filling Diagram
5. Components Diagram
6. Indoor / Outdoor Installation
7. Metal Scupper care
8. Pump care
9. Installation
10. Electrical Pass Through Diagram
11. Draining / Refilling
12. Contact us

**\*\*UK & European installation requires a qualified technician to install the appropriate electrical plug onto the pump before use.**

1. Spend some time pre-planning where you want your water feature. Once assembled it is somewhat difficult to move or reorient, due to weight and bulk. Make sure the box is on level and stable ground. Use shims as required.
2. Add the recommended Liters of water.  
  
26" Bowl (55 L) + concrete Box (44 L) = 99 L  
36" Bowl (160 L) + concrete Box (135 L) = 295 L  
36" Bowl (160 L) + stainless Box (180 L) = 340 L  
REMINDER: !! Never let the pump run dry !!
3. Check the seal of the rubber stopper in the electrical cord pass through. If you see any leakage tighten the seal of the cord in the rubber stopper by pulling/pushing/wiggling on the cord from the outside until the seal tightens and leaking stops. NB. The rubber stopper may have to be jimmied using a chop-stick or pencil to create a good seal.
4. Hook up electrical plug (if need be) and plug in. Water should start to flow. If not, unplug and try again. It may take a few on/off cycles to prime the pump and get water flowing. But DO NOT let pump run for longer than 30 seconds with no water flowing, it may damage the pump.
5. Then adjust the flow volume of water to your liking and adjust the dome and support to achieve even water flow.
6. Watch and listen to the water and enjoy.

### Draining the water- OUTDOORS

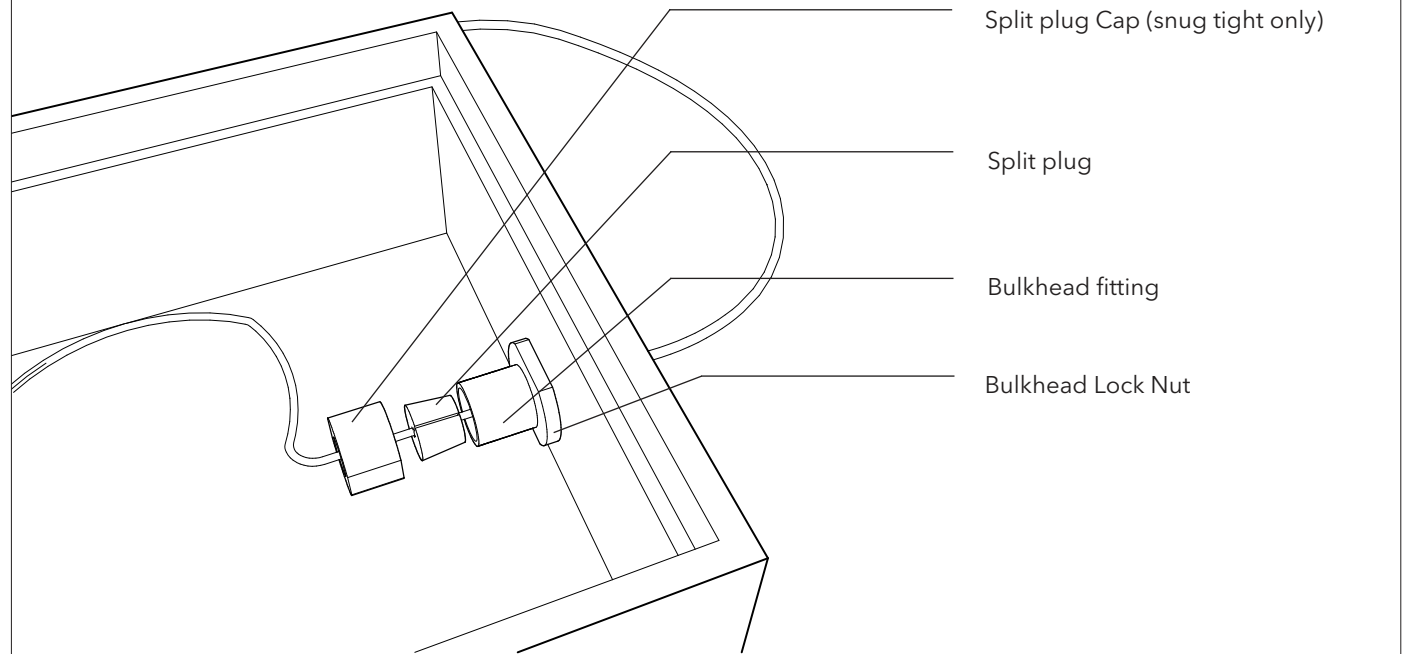
1. Move all the stones from the back of the concrete box to the front. You will need to clear out over half way around the circular bowl support to gain access to the rear drain plate segment. You can then lift out the rear drain plate to gain access to the electrical cord pass through assembly (page 10)
2. Unscrew the Split Plug Cap and pull out the soft rubber Split Plug. If the rubber Split Plug does not come out, you may need to gently use a chop stick or pencil end to ease it out. Please be careful NOT to damage the

## SCUPPER w BOX (26" & 36")

### Table of Contents:

1. Title page
2. General Warnings
3. Handling Warning!
4. Filling Diagram
5. Components Diagram
6. Indoor / Outdoor Installation
7. Metal Scupper care
8. Pump care
9. Installation
10. Electrical Pass Through Diagram
11. Draining / Refilling
12. Contact us

### Diagram of Electrical Cord Pass-through Assembly



silicone rubber Split Plug with the tool.

3. The water will flow out. Once drained you may feed the electrical cord out through the opening. Make sure to flush out the pump with tap water before storing, otherwise the algae may seize up the pump.

To drain the bowl:

1. Bail out water in the bowl first, using a small container. Being careful of the metal scupper edges. They are sharp and may cut or scratch your hands.

## SCUPPER w BOX (26" & 36")

---

### Table of Contents:

1. Title page
2. General Warnings
3. Handling Warning!
4. Filling Diagram
5. Components Diagram
6. Indoor / Outdoor Installation
7. Metal Scupper care
8. Pump care
9. Installation
10. Electrical Pass Through Diagram
11. Draining / Refilling
12. Contact us

2. Once you've removed most of the water, you can turn on the pump to remove the water from the lower vessel. Watch and listen carefully! When you see (or hear) the pump struggling to push any more water up and into the bowl, turn off the pump. **DO NOT LEAVE THE PUMP RUNNING.**
3. You will then need to bail out the water from the bowl.
4. Small amounts of water left in the vessels will evaporate over time and will not harm the water feature, as long as freezing is not a concern. IF freezing is a possibility, you will need to drain all water from the system, especially the check valve.
5. To clear check valve, unscrew Stainless Steel hose clamp between check valve and bowl (see diagram on page 5). All remaining water should flow out. And any danger of freezing avoided.

To refill the water feature reverse the process.

1. Feed electrical plug through Split Plug Cap first! Make sure the Split Plug Cap is facing the correct direction. You will need to screw this onto the threaded bulkhead fitting to secure the rubber Split Plug in place.
2. Pull through as much electrical cord as needed. Leave enough cord inside the box for slack and fit the rubber Split Plug around the cord and push into the bulkhead opening. The soft rubber will squeeze around the cord and fill the opening, making for a water tight seal. It's best to wiggle around the cord a bit while pushing in the rubber plug. This will help to seal any gaps. You may also need to pull and push on the cord to get a water tight seal. You may also use a bit of olive/vegetable oil as a lubricant to help seat it.
3. Once the rubber Split Plug is about 7/8 of the way in, start to screw on the Split Plug Cap. This only needs to be finger tightened. It prevents the plug from backing out of its own accord.
4. Add a few liters of water to check for leakage. Adjust and wiggle the cord/split plug until leakage stops.
5. Then reattach the flex hose to the pump.
6. Add the appropriate amount of water and your ready to go again.

## SCUPPER w BOX (26" & 36")

---

### Table of Contents:

1. Title page
2. General Warnings
3. Handling Warning!
4. Filling Diagram
5. Components Diagram
6. Indoor / Outdoor Installation
7. Metal Scupper care
8. Pump care
9. Installation
10. Electrical Pass Through Diagram
11. Draining / Refilling
12. Contact us

Thanks for purchasing a Solus water feature. If there is anything you need assistance with, please give us a call or send us an email. We are always glad to help you out.

### In North America:

Solus Decor  
1-877-255-3146 or 604-215-0441  
info@solusdecor.com

### In UK & Europe:

Solus Decor UK Ltd  
0208-819-1495  
info@solusdecor.com