



## Fire Features

Thanks for purchasing a Solus PACIFIC RIM water ring.

This manual provides instructions on how to insert a PACIFIC RIM water ring into an *existing HEMI 36 firepit (manual light)*. If you are setting up a whole system from scratch, please read the full HEMI INSTALLATION & OPERATIONAL MANUAL first and use this as a supplemental guide.

**IMPORTANT!**  
TURN OFF MAIN GAS SUPPLY AND ELECTRICITY (if you have an electric start) BEFORE INSTALLING THIS PRODUCT.

### GENERAL TIPS:

Your HEMI firepit will need to be level in both directions.

Use shims at bottom of bowl to achieve this.

Vacuum all debris off burner plate.

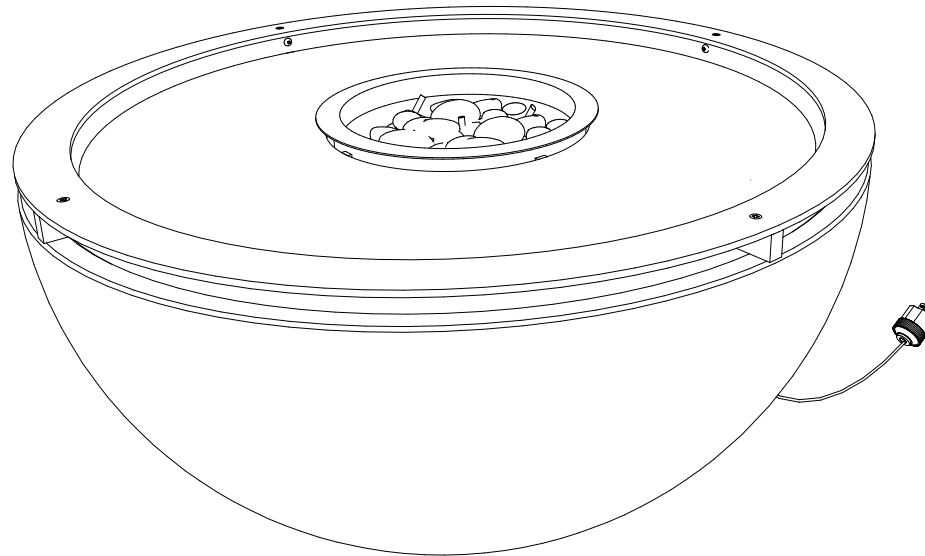
The tank needs to sit flat and level on the burner plate.

You will need a drill, screwdriver and wire strippers as well as a level and some shims.

version: 2019.11.14

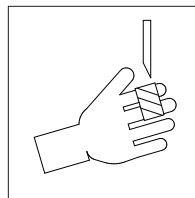
## ASSEMBLY INSTRUCTIONS FOR PACIFIC RIM WATER RING (for manual lit Hemi 36 firepit)

OUTDOOR USE ONLY.



### WARNING!

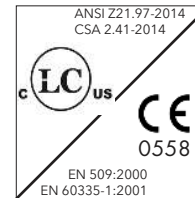
Some pieces are heavy with sharp edges. Use extreme care when lifting and assembling.



OUCH!  
Watch for sharp edges.



DANGER! HEAVY!  
Lift pieces with care.



CE / CSA & ANSI  
CERTIFIED

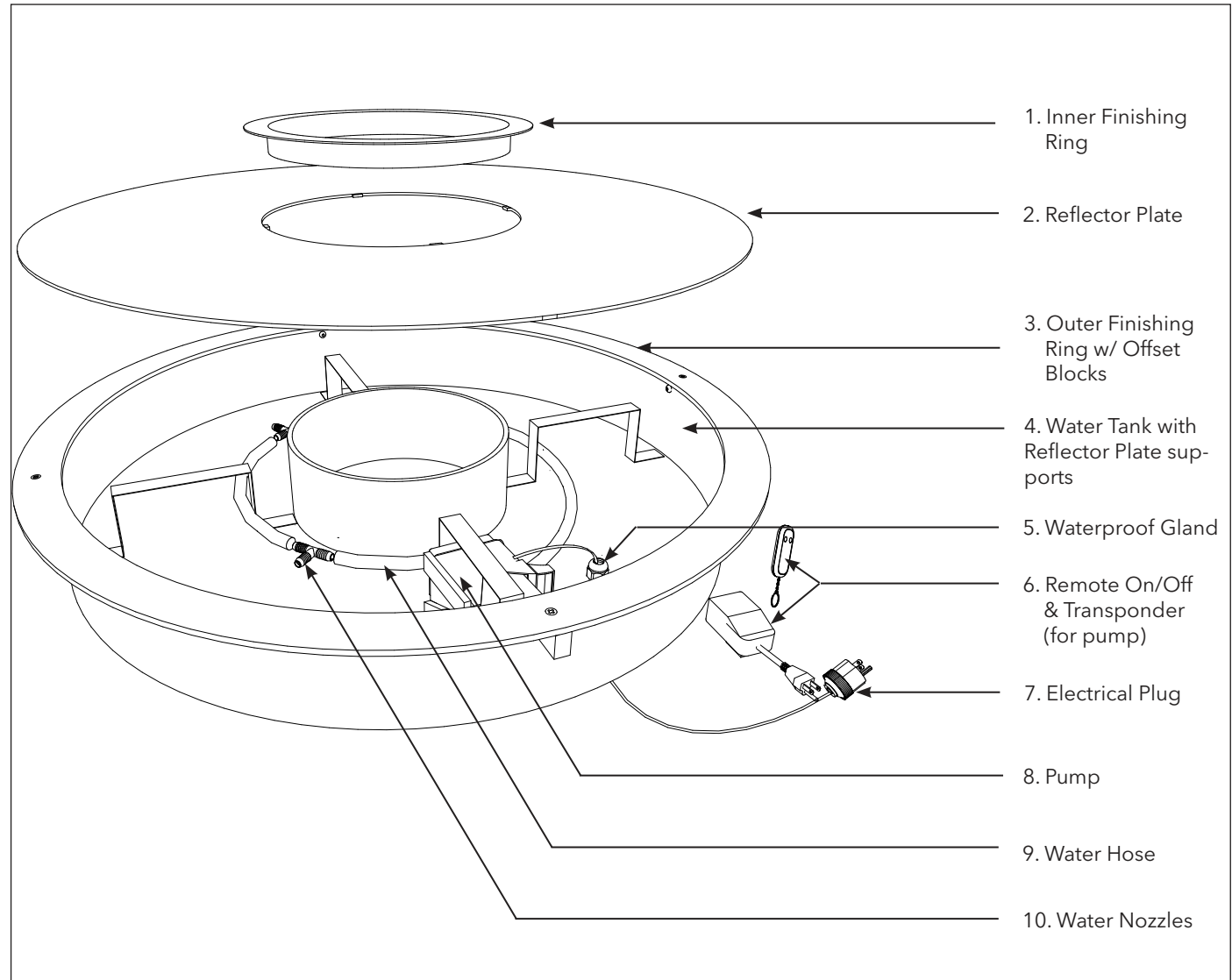


## Fire Features

CONFIRM YOU HAVE ALL PIECES SHOWN.

1. *Inner Finishing Ring*  
Stainless steel w black coating.
2. *Reflector Plate*  
Brushed stainless steel w/ protective plastic coating (to be removed before use).
3. *Outer Finishing Ring w/ Offset Blocks*  
Anodized aluminum w stainless screws.
4. *Water Tank w/ Reflector Plate Supports*  
Stainless steel w black coating.
5. *Waterproof Gland*  
Stainless steel w plastic & rubber insert.
6. *Remote On/Off & Transponder*  
(third party supplied).
7. *Electrical Plug*  
(third party supplied)
8. *Pump*  
(third party supplied)
9. *Water hose*  
Irrigation grade polyethylene.
10. *Water Nozzles*  
Irrigation grade polyethylene.

Parts list:



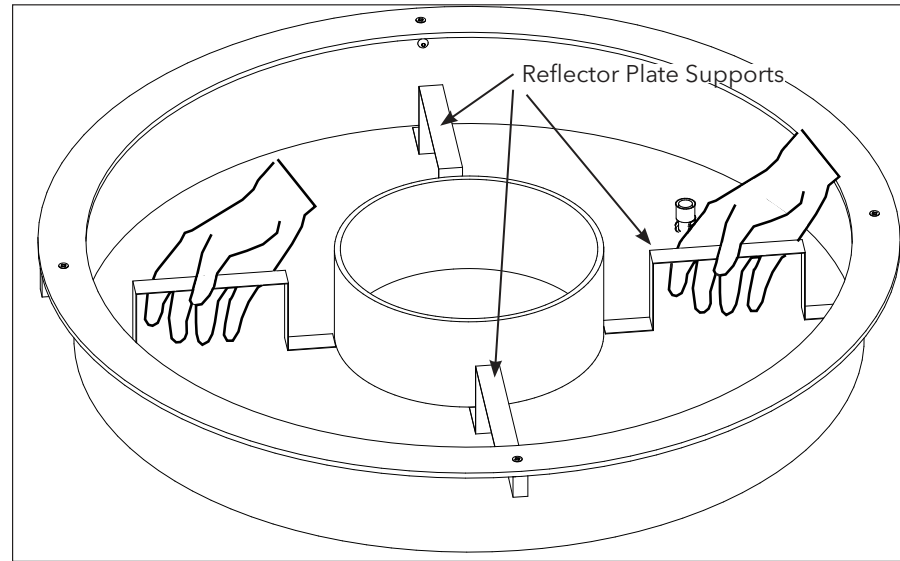
version: 2019.11.14

## Fire Features

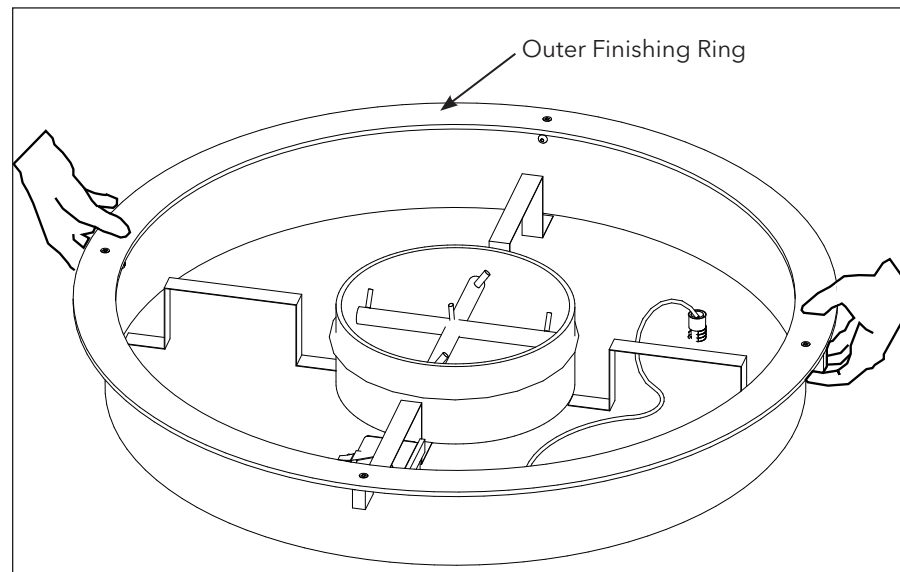
### MOVING & PLACING

Lift and move the Water Tank by grabbing the Reflector Plate Supports. Please be careful of the Outer Finishing Ring and Offset Blocks. They are anodized aluminum and are susceptible to damage.

DO NOT grab and move by the Outer Finishing Ring, you may bend it!



Pick up by plate supports



DO NOT pick up at edge!

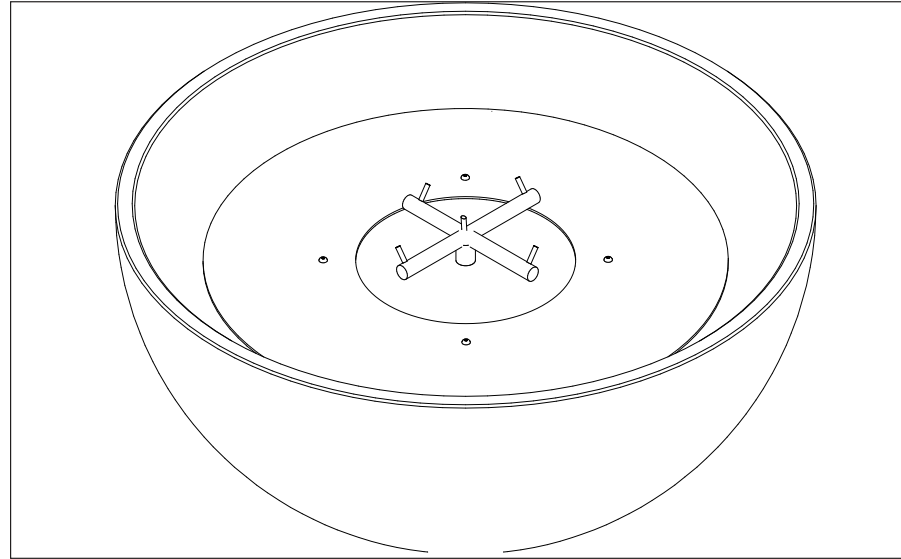




## Fire Features

You will need to remove ALL of the rocks from your HEMI firepit. Keep the river rocks separate from the lava rocks. This will make it easier to re-assemble later.

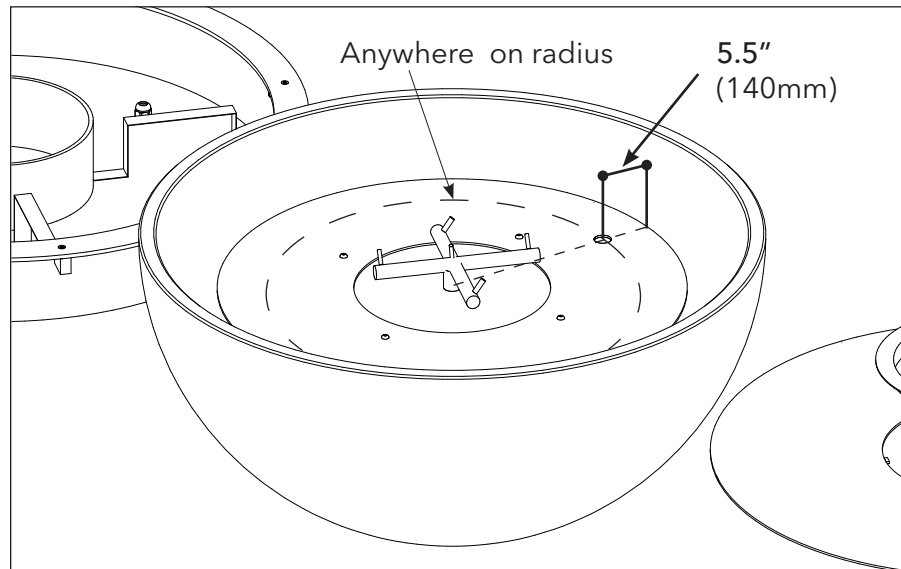
Use a shop-vac to remove all debris from the burner plate. You may need a steel brush or stiff bristle brush to scrub off any caked on lava or corrosion. The burner plate needs to be perfectly clean for the Water Tank to sit flat and evenly. It's ok for the Water Tank to sit on the screw heads.



Leave no debris on any part of the burner plate.

You will need to drill a 1" (25mm) hole 5.5" (140mm) from the outer edge of the burner plate. Approximate a line from the center to the outer edge and then measure back 5.5" (140mm). It does not matter where around the circle you do this, just as long as you maintain the 5.5" (140mm) distance.

Clean up any debris left from drilling.



Drill a 1" hole, 5.5" from the outside edge of burner plate towards the center.

USE A SHOP-VAC TO CLEAN AWAY ALL DEBRIS! Tank must sit flat & level on burner plate.

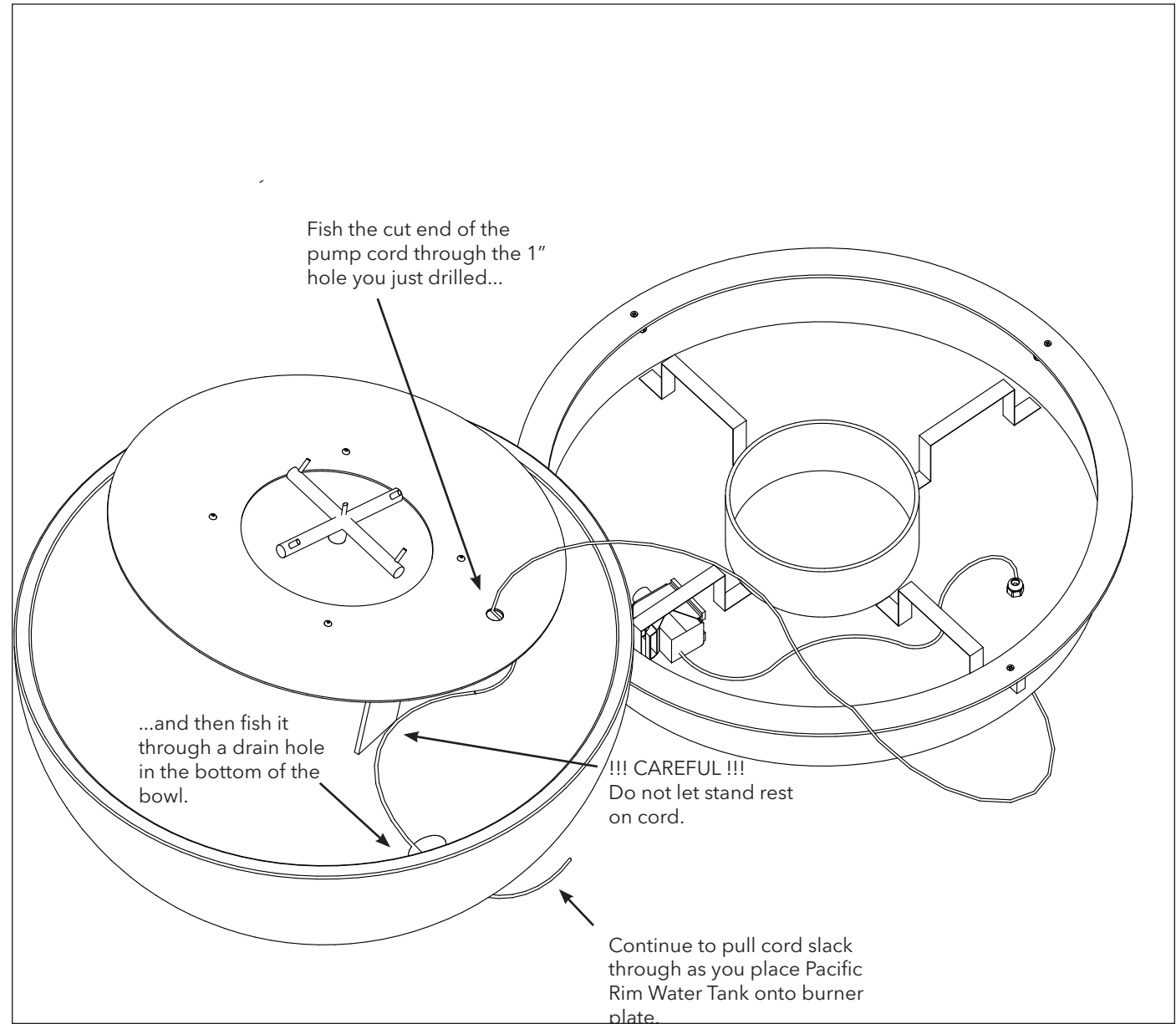
## Fire Features

The next step is fishing the pump cord through the 1" hole you just drilled and out the bottom of the bowl.

Place the Water Tank on the ground close to the HEMI firepit.

Lift up the Burner Plate and feed the cord through the hole you just drilled and then down through a hole in the bottom of the bowl.

Replace the Burner Plate back to its correct position being careful to not pinch the cord under the legs. The cord should move freely.



## Fire Features

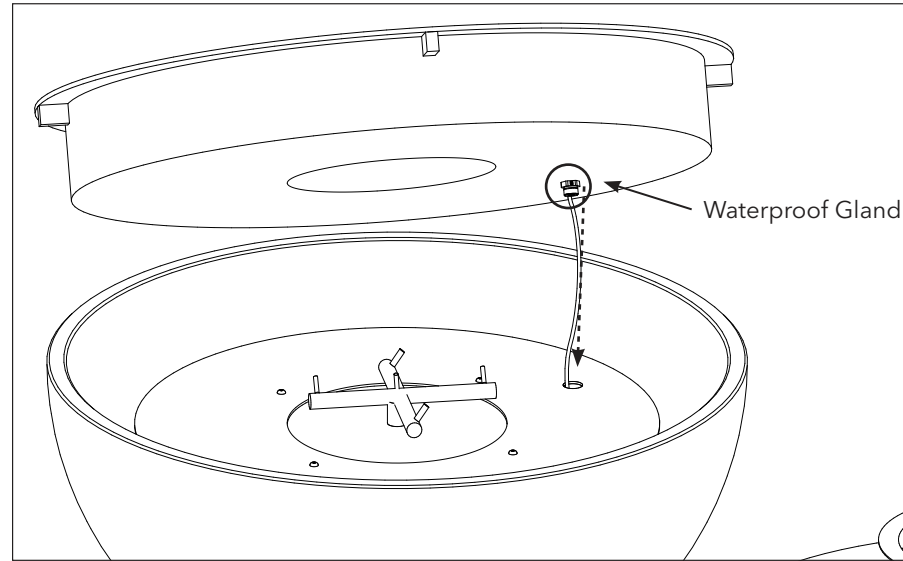
Grab the Water Tank by the Reflector Plate Supports and move it into the firepit. You will need to align the Waterproof Gland with the 1" hole you just drilled on the Burner Plate.

The tail end of the Waterproof Gland will go through the hole.

Pull out all the slack in the cord as you do this.

You may need to wiggle and twist the Water Tank a bit to make it fit through the hole.

The Water Tank should sit flat and level on the Burner Plate. Also make sure all 4 Offset Blocks are resting on the concrete rim of the bowl. Even out and align Outer Finishing Rim to the concrete bowl.

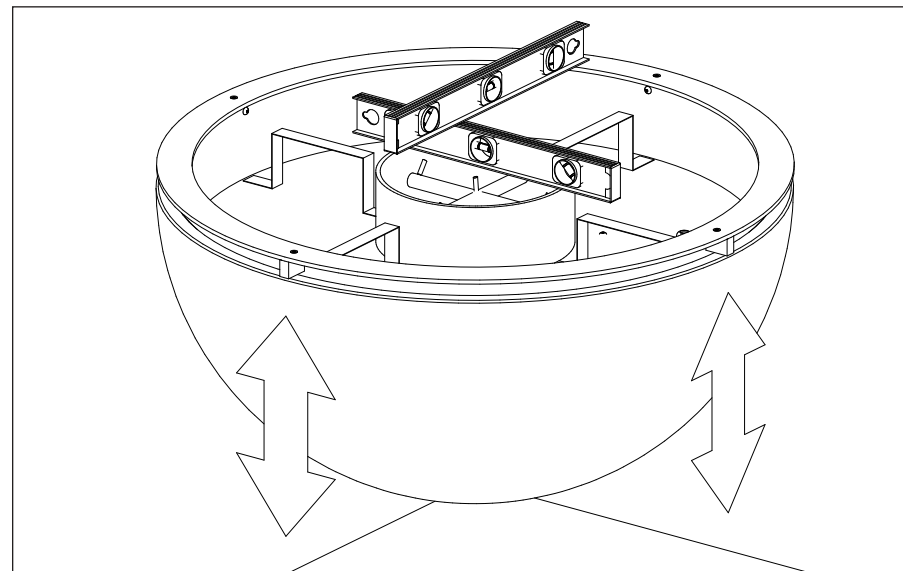


As you place in the water tank, align the cable fitting to fit into the 1" hole.

You may have to wiggle around the tank to make it sit evenly in the bowl.

The whole firepit must be levelled so you do not end up with an uneven water distribution after you fill the tank. Use shims under the bottom of the firepit to make it level.

You must do this in two directions!



Make sure water tank is resting equally on all 4 feet and then level the whole firepit from the bottom!

Do not attempt to level only the tank. All 4 feet need to rest on concrete rim.



## Fire Features

Attach the Plug to the Pump electrical cord by removing the screws on the bottom of the plug. Fish cable through housing and attach appropriate wires to terminals.

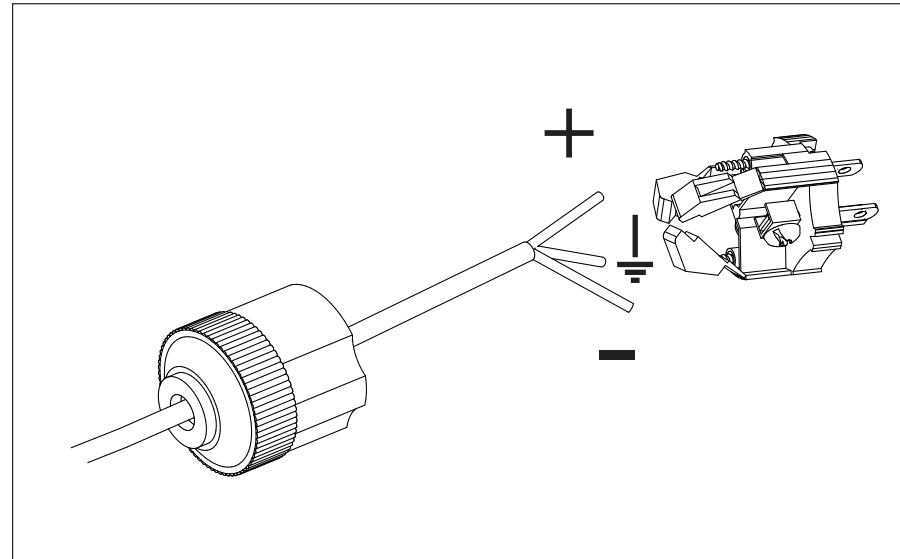
### North America

- Black is +
- White is -
- Green is ground/earth

### UK/Europe

- Brown is +
- Blue is -
- Green & Yellow is ground/earth

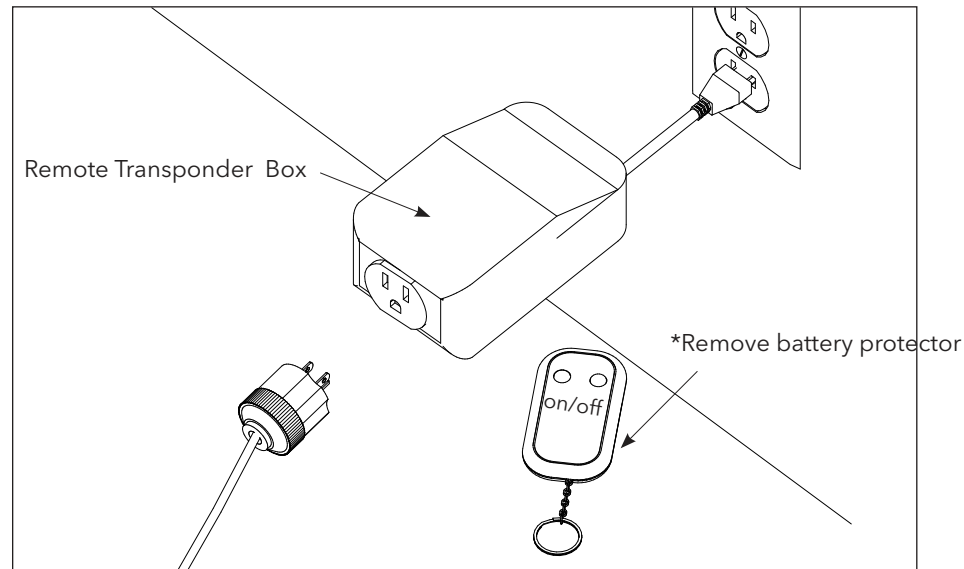
Make sure to tighten up screws on bottom of plug after connection.



Feed pump cord through Plug Housing and attach leads appropriately. Make sure to secure housing before plugging in.

Plug in the Pump cord into the Remote Transponder unit and then into a wall outlet.

Check your Remote On/Off control and remove the plastic tab that prevents the battery from discharging while in the factory. The pump is now operational through the use of this Remote Switch.



Plug in the Pump Cord to the Remote Switch Box and then plug in the Remote Switch Box to your outdoor wall plug. Use the remote switch to turn on/off the pump.

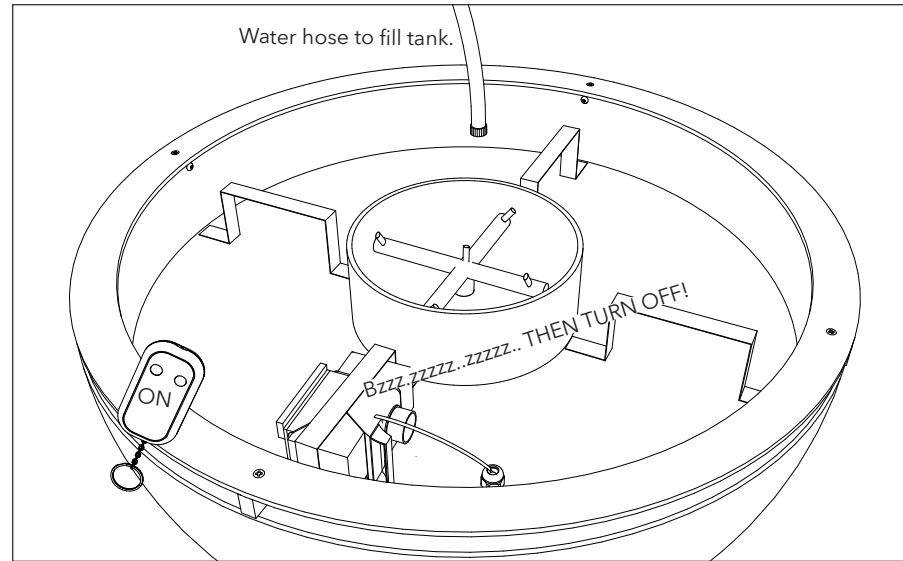


## Fire Features

Go back to the firepit and check to see if your electrical hook-up is working. Push the ON button on the remote control and you should hear the pump start up.

As soon as you hear it buzz, TURN IT OFF! Running the pump without water will burn it out!

If you do not hear the pump working, you will need to trace back your electrical to find where the trouble is.

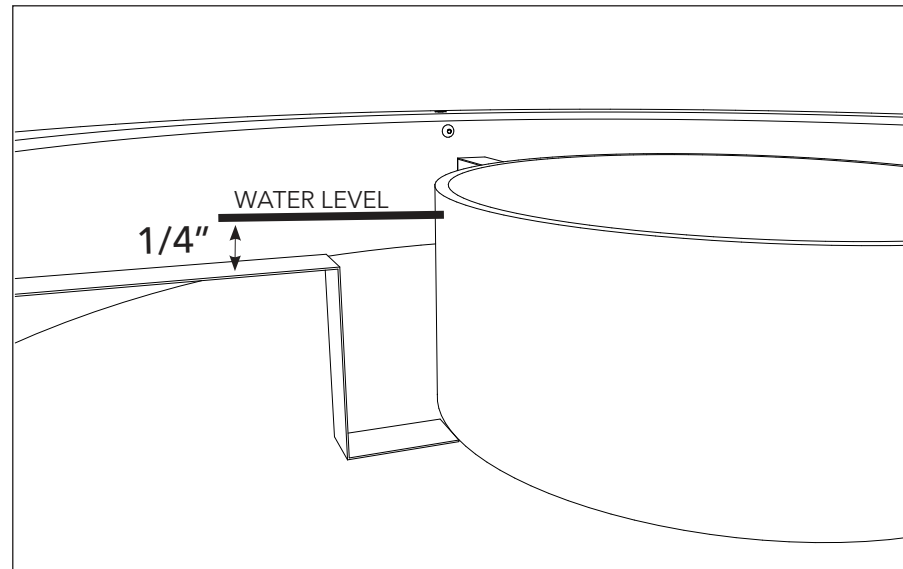


Check that the pump is working before filling with water!  
Push the ON button (on the remote) and you should hear it buzz. Turn OFF right away or you will burn out the pump!

If pump is not working, you will need to trace back your electrical line and find where the trouble is.

Once your pump is operational you can fill the tank with water.

Use a garden hose and fill to about 1/4" (6mm) above the Reflector Plate Supports. You can add more...just don't overflow the inner ring.



Fill to 1/4" above the Reflector Plate Supports.

**FOR HARD WATER !**  
Use demineralized (distilled) water if you live in an area with hard water.

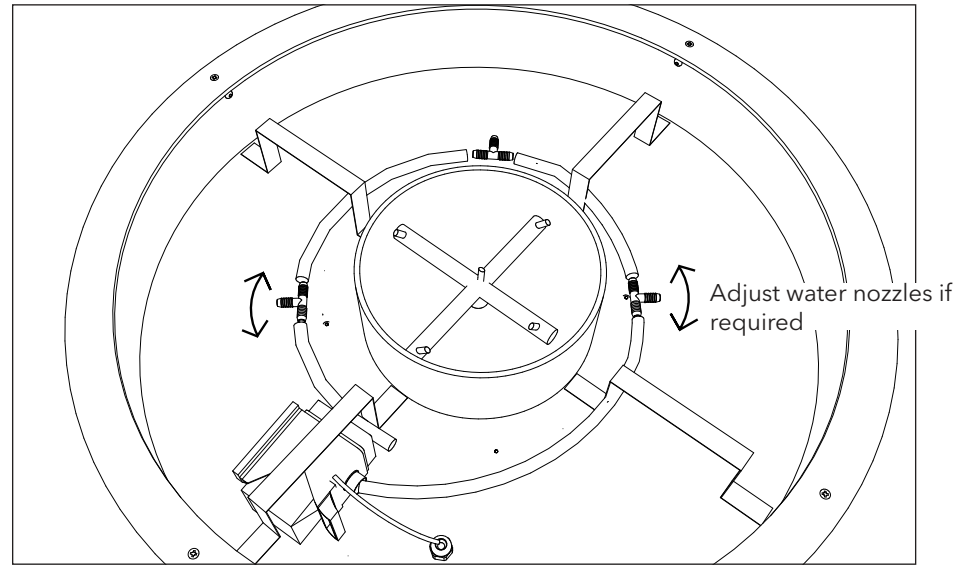
TOTAL WATER~40 litres  
(~8.75 gallons)



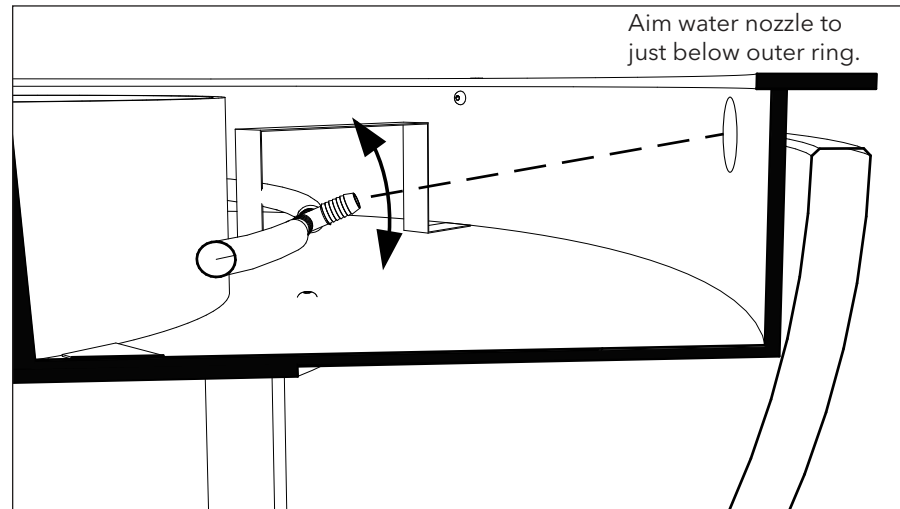
## Fire Features

The pump is attached to a flexible hose that has adjustable nozzles. The nozzles can only move up or down. You may need (or want) to adjust how much water disturbance you will see on top of the reflector plate. You can also adjust the pump level output as well.

We have set the nozzles and the pump to the maximum disturbance level. We feel this is the best setting. Any less and you will see a marked decline in water movement.



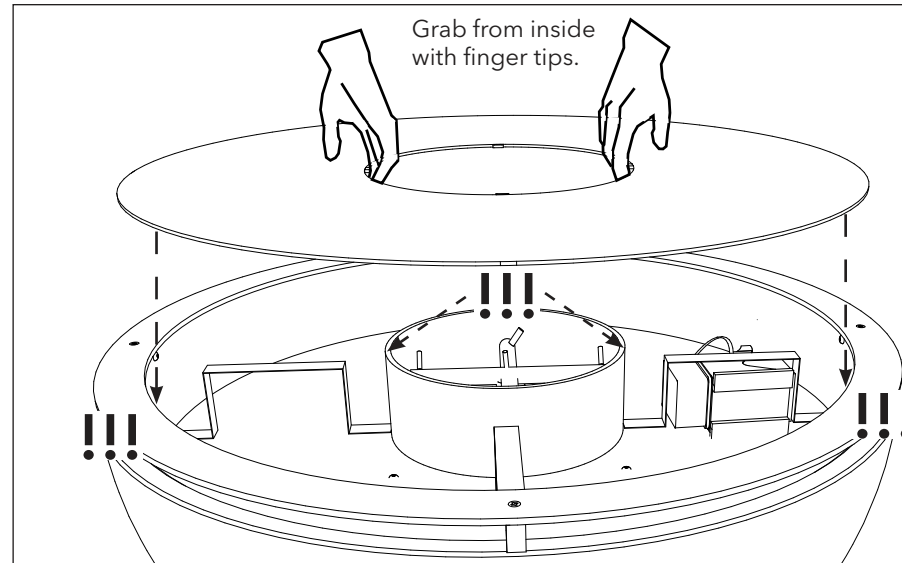
Adjust water nozzles if more water disturbance is desired.



We have set the nozzles to approximately the correct position. Ideally, aim water stream to just below Outer Finishing Ring.

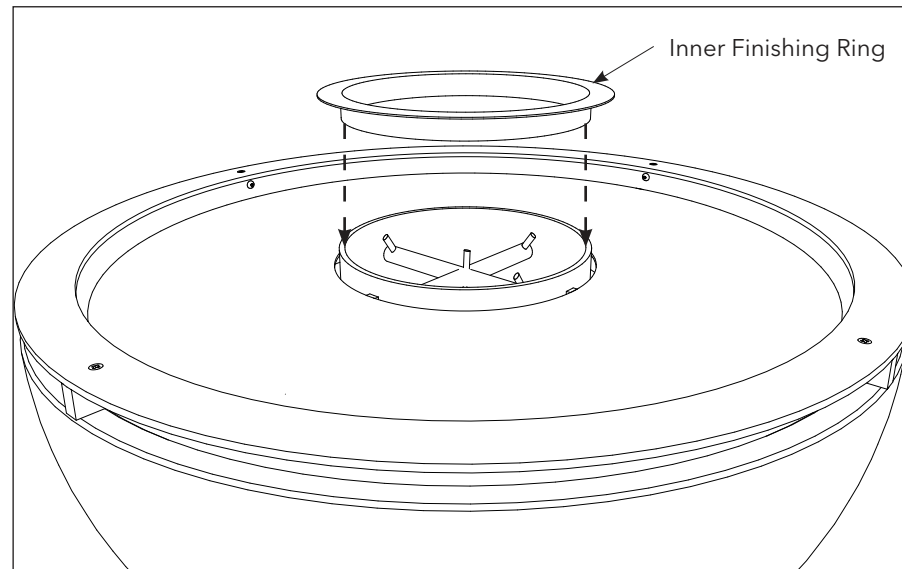
## Fire Features

You can now place the Reflector Plate into position. Pick up the plate from the inside edge. **BE CAREFUL OF SHARP EDGES** and lower the plate onto the Reflector Plate Supports. Watch the outside and inside edges as the fit is quite close. Once the plate is in place, you will need to adjust it to sit in the center. You can judge the correct distance by looking at the 4 tabs and checking the distance to the inner ring. They should all be roughly equal.



Place Reflector Plate onto the supports. Grab and move plate from the inside edge.

Place the Inner Finishing Ring into position. It will fit snugly on the outside of the inner tank wall. By outside, we mean towards the center of the bowl.



The Inner Finishing Ring will fit snugly *outside* the inner tank wall.

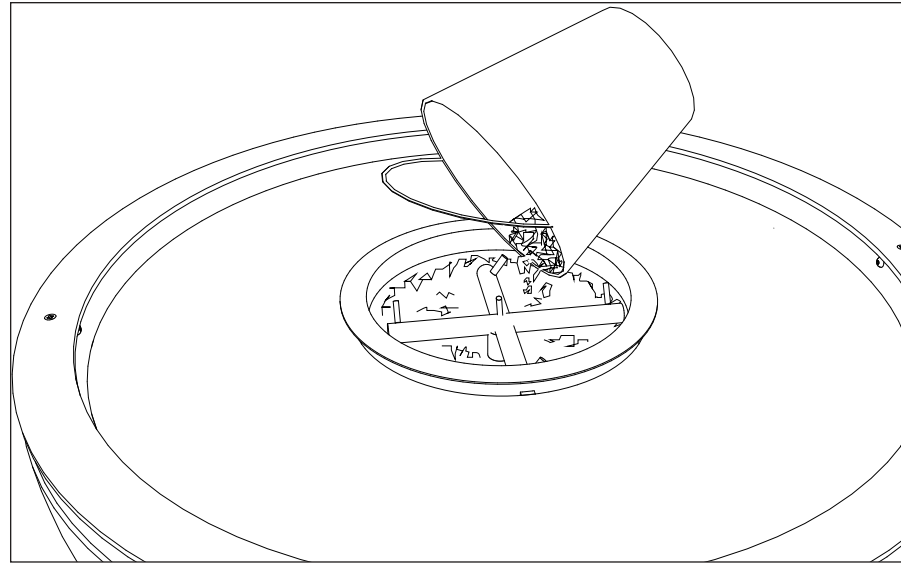
## Fire Features

You will only need a small portion of the lava that you original had. Use a small container (like a yoghurt container) and carefully fill up the chamber with lava rock.

**DO NOT GET LAVA ROCK INTO THE NOZZLES!**

**DO NOT GET LAVA DEBRIS IN THE WATER!**

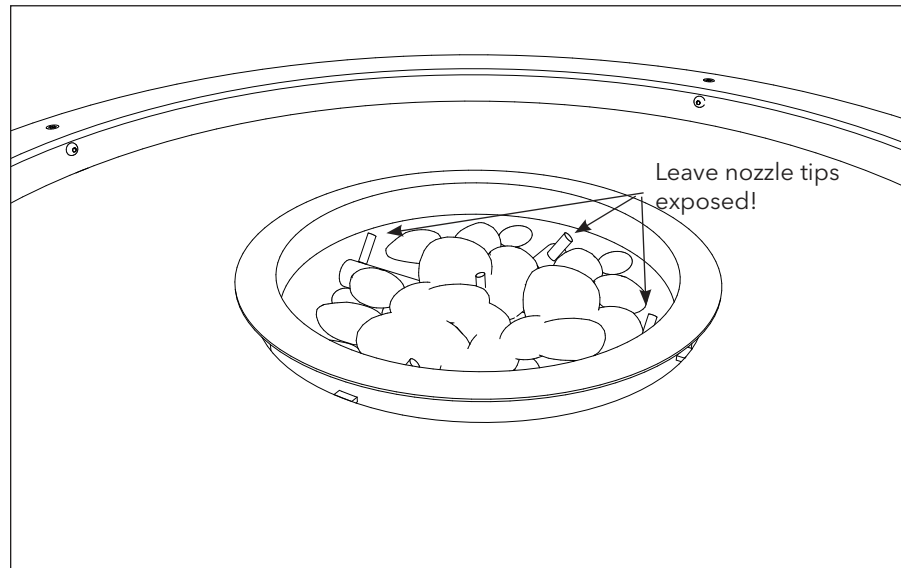
If you do happen to get some in the water tank, just pick it out. You want to keep the water as clean as possible. Fill to just cover the brass tubing.



Use a small container to slowly fill with lava rock.

**DO NOT GET LAVA DEBRIS INTO THE WATER!**

Then hand place the refractory "river rocks" to cover over any exposed brass piping. Make sure to leave the nozzles unobstructed.



Place refractory stones into chamber.

## Fire Features

DONE!

You can now turn on your main gas supply and light up your firepit as you would normally. *NOTE: wait 10 minutes for gas to refill the line and make it to the burner unit before lighting.*

You can use the remote control to turn ON/OFF the water pump.



Operate the firepit as you normally would.

## Fire Features

### MAINTENANCE.

**IMPORTANT!**

If you live in an area where freezing will occur, you will need to drain the water out of the water tank. You can do this by either:

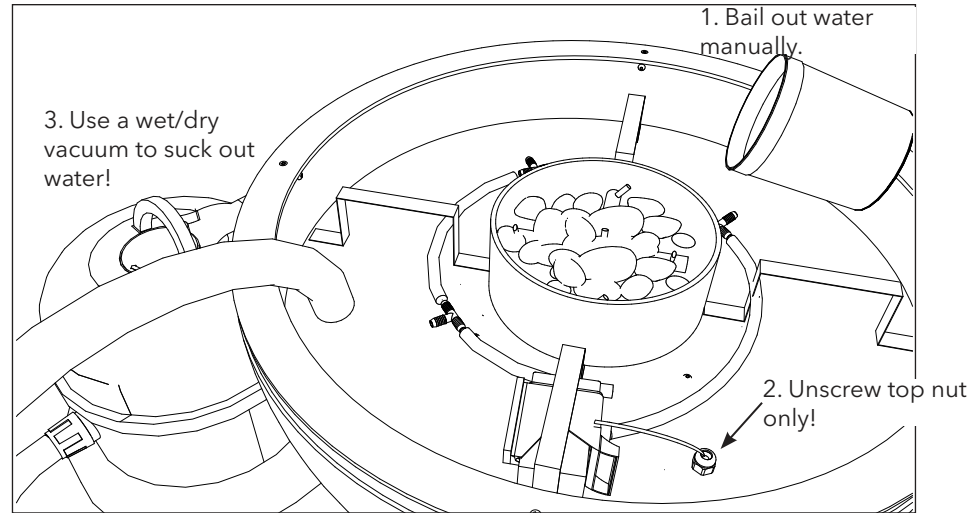
Bailing out the water with a small plastic container  
or  
Unscrewing the Water Proof Gland top nut and dislodging the cord seating thereby letting the water drain out the bottom of the bowl.

The easiest way is bailing because you won't have to re-silicone the cord back into the waterproof gland. This is not hard, but just represents an extra step and creates the chance of leaking when re-siliconing.

Another method to remove the water is by using a Wet/Dry Shop Vac and suck out the water. (This is what we do!)

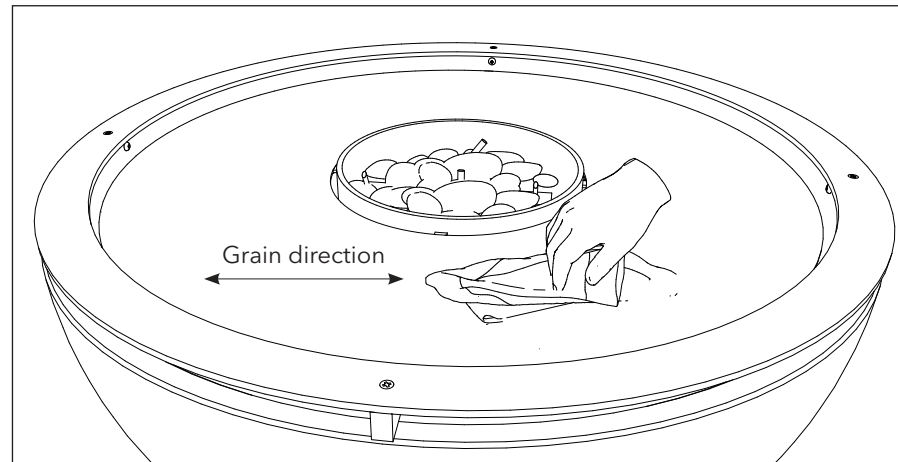
You can then return the Reflector Plate & Inner Finishing Ring and cover/winterize your firepit as you normally would.

Follow this same procedure if you need to clean out fouled water.



To drain water:

1. Bail with small plastic container.
2. Unscrew top nut of Waterproof Gland.
3. Shop Vac.



To clean the stainless steel reflector plate, just wipe down with a soft cloth. Try to wipe in the same direction as the grain.

To kill off algae try using 1 cup (~250ml) Hydrogen Peroxide (3%) on DAY 1. Add an additional cup on DAY 2 *if needed*. Then one more cup on DAY 3 *if required*. Water should be clear by 4th day.