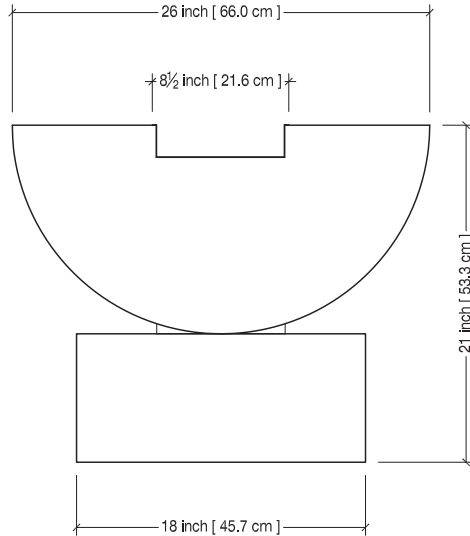
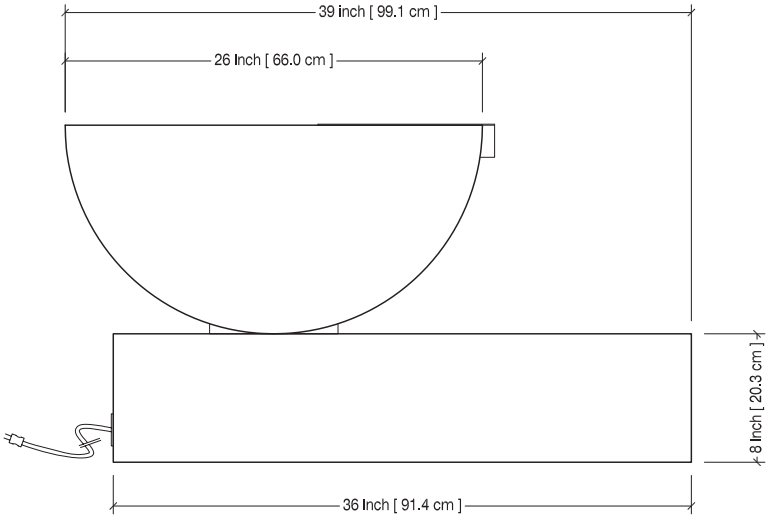
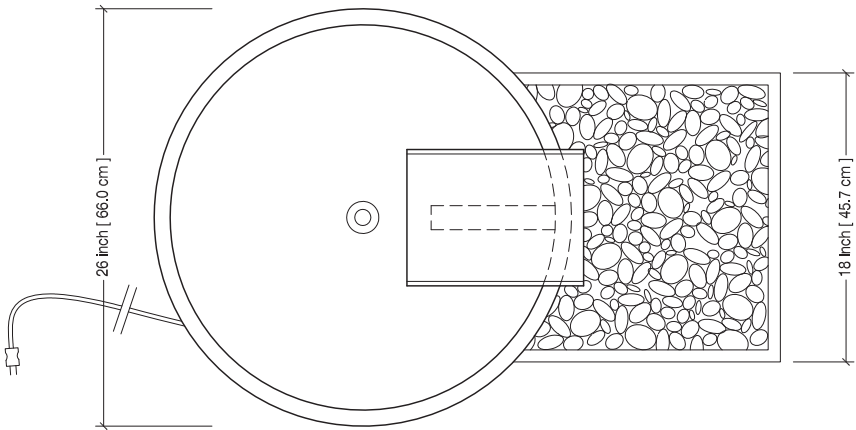


SCUPPER 26w BOX

Comes complete as a plug-in water feature. Some simple assembly will be required after unpacking.

- Contents:
- Solus concrete bowl and box.
 - Non corrosive Alum. bowl stand.
 - Metal scupper in choice of Stainless Steel or Brass or Copper.
 - 350 GPH (1325 LPH) high quality pump w 2 year manufacturers warranty.
 - Non corrosive perforated aluminium pebble/rock support plate.
 - Bag of decorative pebble/rock.
 - Water is NOT supplied.

NOTE: Pump is available in two voltage types.
 120V for N. America
 OR
 230V for U.K. & Europe (Euro area requires a qualified technician to affix wall plug).



	ORDER NO. / JOB NAME	PRODUCT: SCUPPER 26 w BOX	
	Signature: _____	Date: _____	COLOUR: Bowl & Box : _____ Scupper: _____
			OTHER: Weight ~100 lbs (45 kg)