



Fire Features

HEMI 36 FIREBOWL MATCH LIT ETHANOL

Fire is beautiful and also dangerous if not handled properly. Please use common sense when placing and using this appliance.

Please ensure these **minimum clearances to adjacent materials** are maintained.

FOR OUTDOOR USE ONLY.

BURNER SPECS

Ignition: Match lit
Gas type: Ethanol
BTU / kWh: ~ 50,000/~14.6
Construction: Aluminum, S.S.

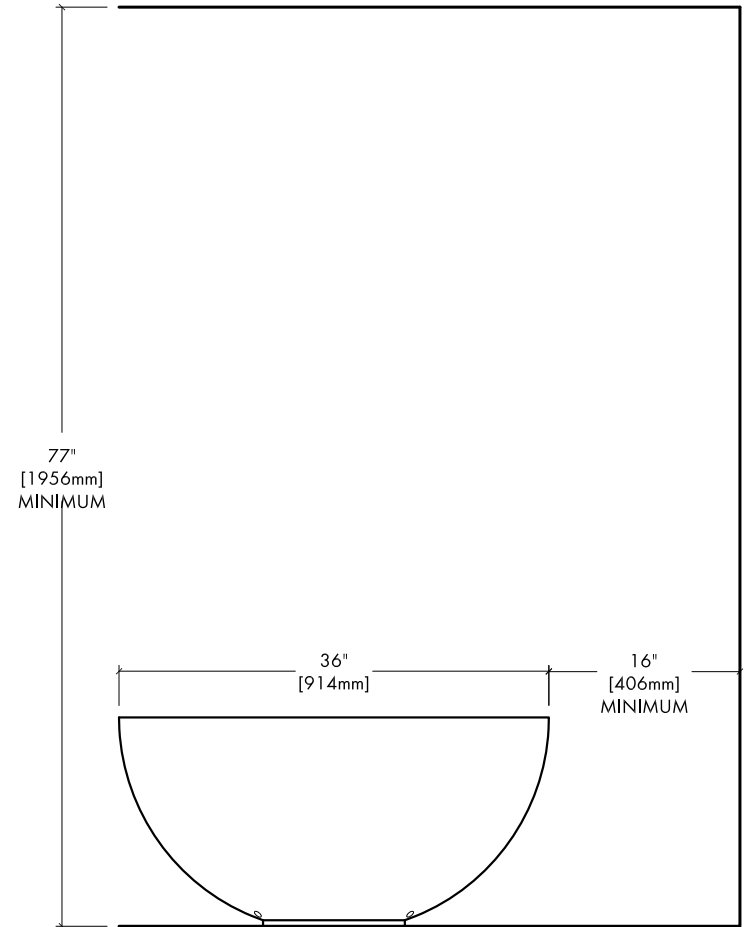
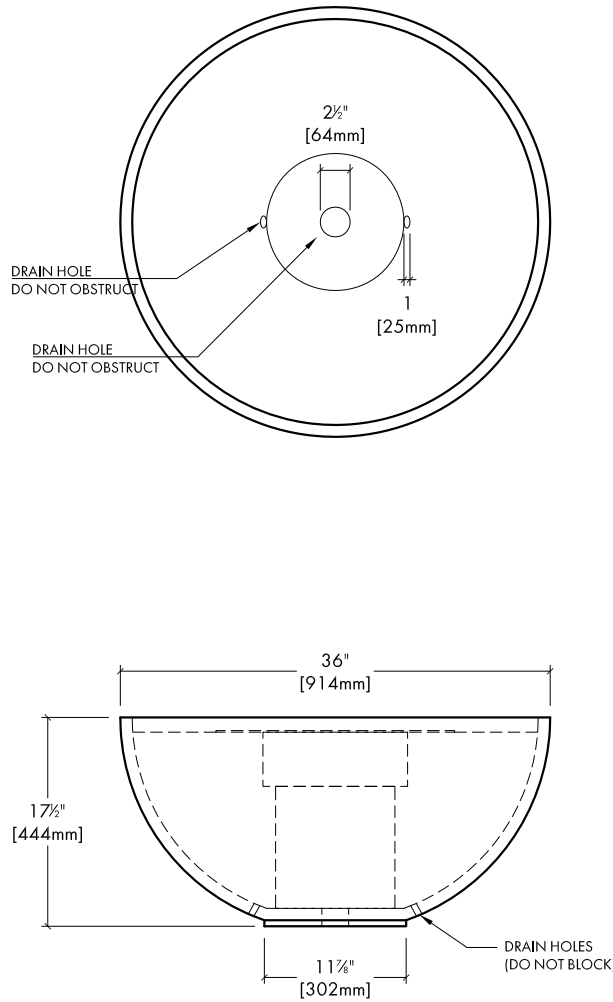
CONCRETE SPECS

Strength: 10,000 psi (proprietary)
Weight: 160 lbs / 72 kg

JOB / ORDER

Name or Number:

Signature & Date:



CLEARANCES to ADJACENT MATERIALS