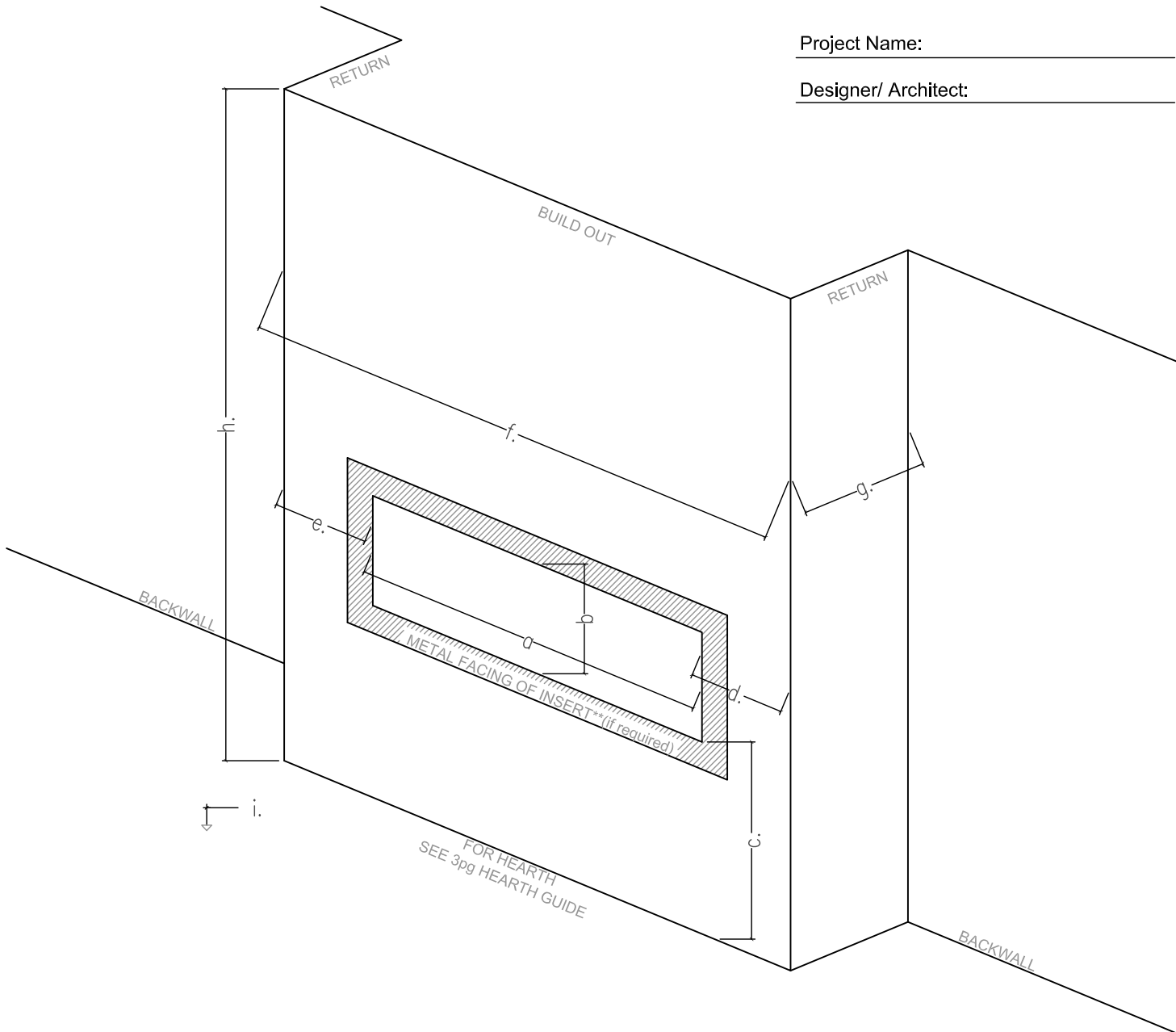


Project Name: _____

Designer/ Architect: _____



1/ Feature Wall & Return

- a. ACTUAL OPENING WIDTH* _____
- b. ACTUAL OPENING HEIGHT* _____
- c. DISTANCE FROM FINISHED FLOORING. _____
- d. RIGHT SIDE CLEARANCE. _____
- e. LEFT SIDE CLEARANCE. _____
- f. OVERALL BUILD-OUT WIDTH. _____
- g. BUILDOUT DEPTH. _____
- h. BUILDOUT HEIGHT. _____
- i. FINISHED FLOORING TYPE & THICKNESS _____

2/ Fireplace / Box / Insert Information

- J. MANUFACTURER. _____
- K. MODEL. _____
- L. INSTALLATION DATE. _____
- M. COMPANY PURCHASED FROM. _____

3/ Hearth information

see 3 page Hearth Guide

*Every insert has minimum opening dimensions which facing material CANNOT cover. Please consult your firebox insert installation manual.
 **Consult Insert installation manual to determine how much of the metal facing can be left exposed. Every firebox insert is different.

