

FIREBOX

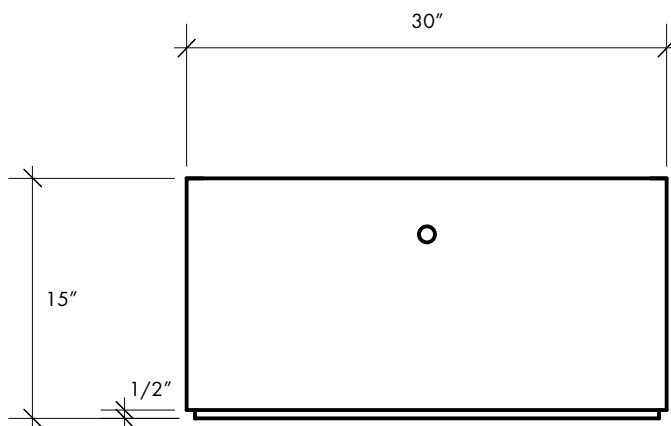
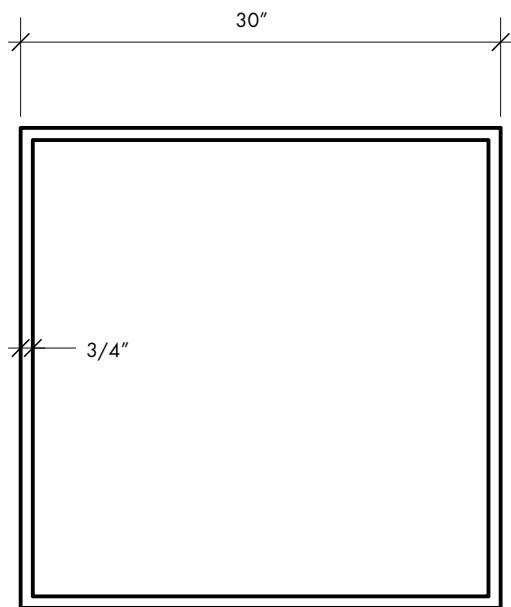


Firebox 30 in Cinder



FIREBOX

SOLUS HANDCAST CONCRETE FIRE PITS



The Firebox 30 is a versatile contemporary fire pit that combines simplicity with solidity. At 30" square and 15" tall, it is a large enough fire pit to be the focal point of your outdoor room, or can be ganged or used in multiples to create spectacular outdoor fire features. The Firebox's minimal design fits right into the modern back yard or can be easily integrated with other outdoor furnishings.

CHOICES

Fireboxes come complete with a pre-installed approved 80,000 BTU gas or propane outdoor burner. They are available in any of our 12 standard colours.

For more information, please visit:

www.solusdecor.com