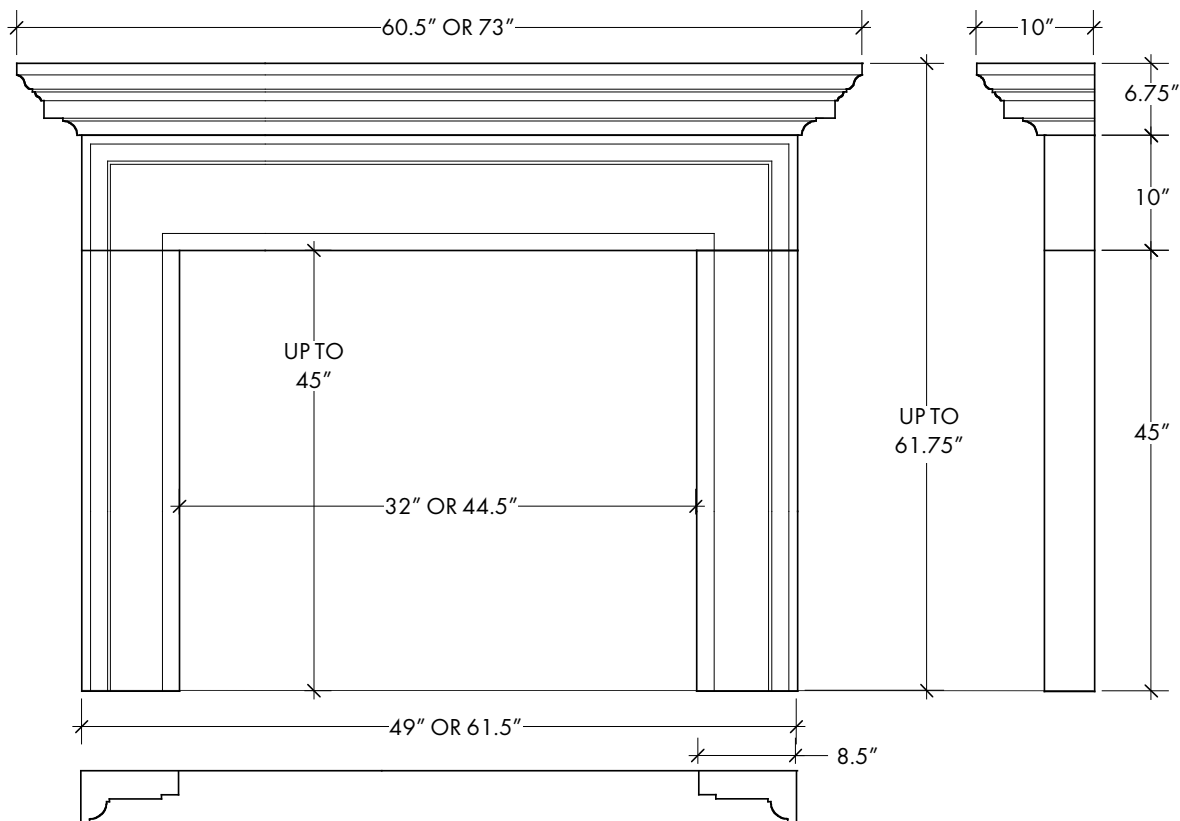




60" Crown in Linen



As versatile as it is refined, Crown marries traditional detailing and contemporary proportions, with dramatic results. Use the surround alone, as an elegant frame, or add the mantel for a bolder look.

#### SIZES

Crown is available in 73" and 60.5" mantel widths with maximum opening widths of 44.5" and 32" respectively. Legs may be cut to adjust its height.

#### CHOICES

The surround may be cast in any of our 12 integral colours. To complete the fireplace, we offer a wide selection of trim panel and hearth options.

For more information, please visit:

[www.solusdecor.com](http://www.solusdecor.com)