

Solus Handcast Concrete Fireplace Surrounds Measure-up Guide -

To measure-up for a Solus fireplace surround, you need to locate and dimension your fireplace's ACTUAL OPENING. The actual opening refers to the exact area that you wish to leave exposed once the surround and any trim panels have been installed.

NOTE: This does not necessarily correlate to the dimensions that appear on your fireplace insert manufacturer's spec sheet. Depending on the requirements of your fireplace insert, it may be possible to cover some or all of the black metal frame on the outside of the insert opening and you may opt to do so. Please check with your fireplace manufacturer or dealer to see if this is an option.

Once you have determined your actual opening size, you need to locate its proximity to the floor and clearances on all sides. Use the worksheet on page 2. You may be limited by the fireplace's location near adjacent walls, doors, windows, etc., or by a "buildout" (an area of wall that is not flush with the surrounding wall - usually to accommodate a fireplace unit or firebox)

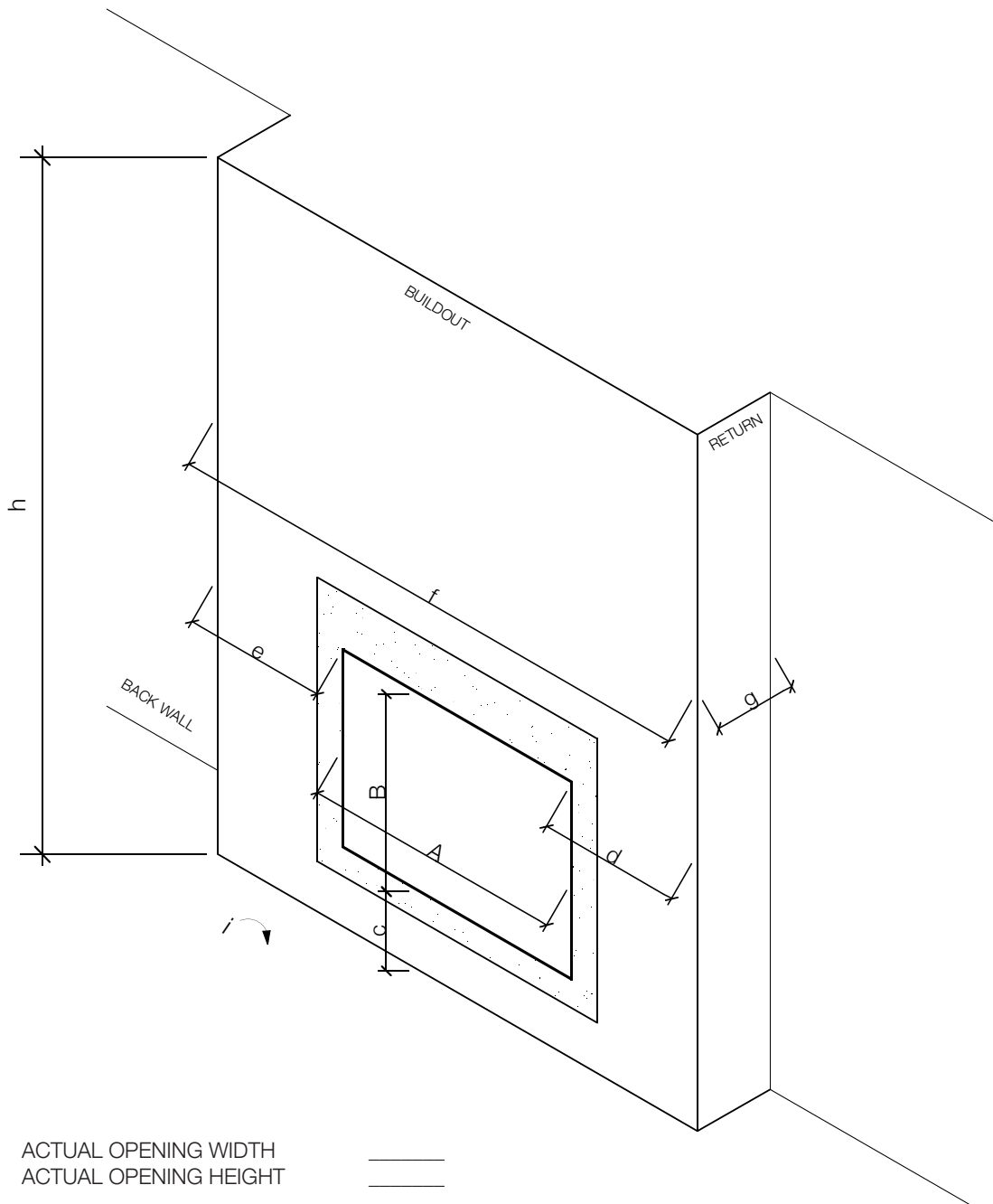
Please note the flooring type at the time of measurement as this may affect the final height dimension.

When you have all the required dimensions, you can reference our product spec sheets to see how to configure your chosen Solus fireplace surround. These sheets are available from Solus or online at www.solusdecor.com

A NOTE ABOUT DESIGN:

Please keep in mind the size of the Solus surround you are choosing relative to the size of your firebox or insert. You don't want to choose a surround that will dwarf your insert, or vice versa. Furthermore, the heights of any of our surrounds may be reduced if it suits your room better. It is a good idea to use painter's tape to mark out the outline of your future surround on your wall to see if the scale is right. Ultimately, these choices are up to you, but we would be happy to make recommendations.





- A. ACTUAL OPENING WIDTH _____
- B. ACTUAL OPENING HEIGHT _____

- c. DISTANCE FROM FLOOR _____
- d. RIGHT SIDE CLEARANCE _____
- e. LEFT SIDE CLEARANCE _____

- f. BUILDOUT WIDTH (if applicable) _____
- g. BUILDOUT DEPTH (if applicable) _____
- h. BUILDOUT HEIGHT _____
(if different than ceiling height)

- i. FLOORING TYPE _____

